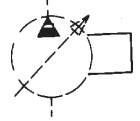




**PUMP, VARIABLE DELIVERY
PVV-540 "B1"
with
"F" CONTROL**

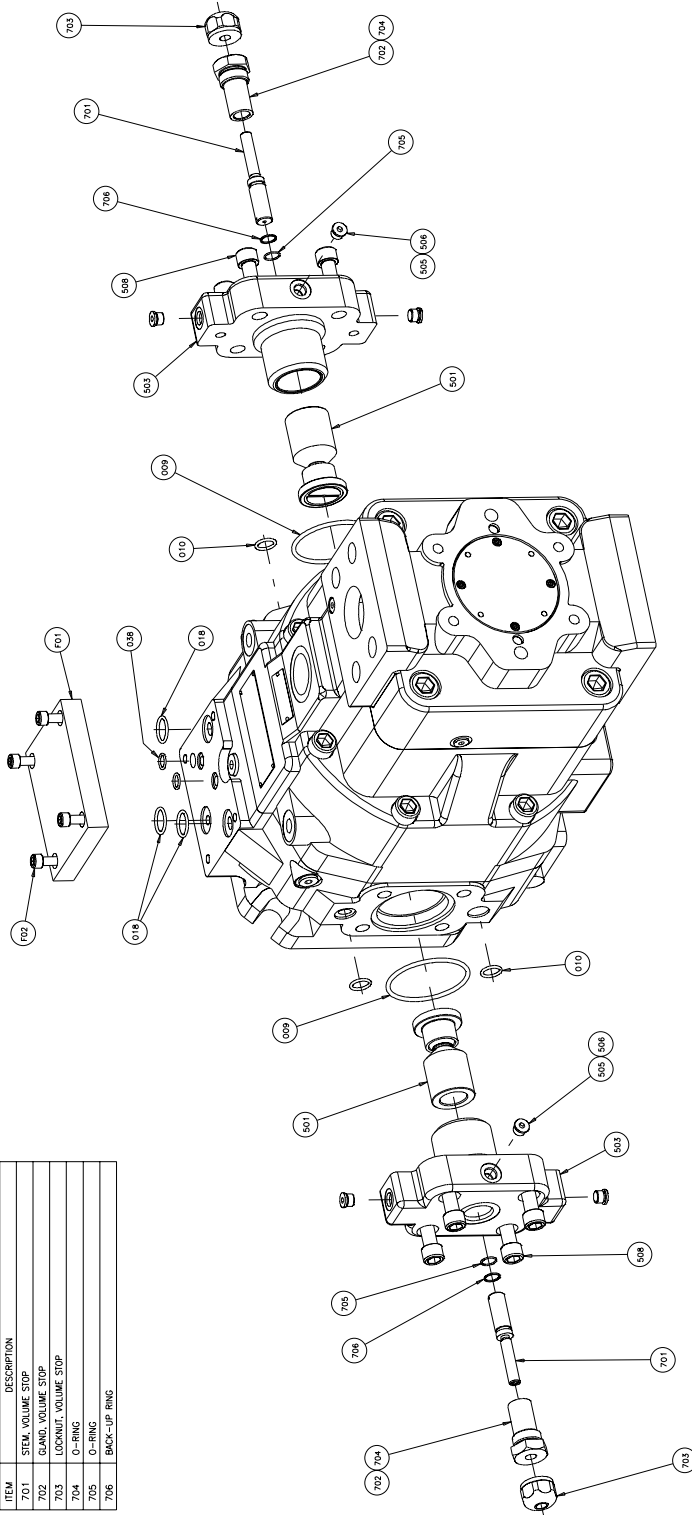
ENGINEERING

1



Parts Drawing

Fixed (Screw Adjustable) Control



COMMON PARTS	
ITEM	DESCRIPTION
501	ASSEMBLY, CONTROL PISTON / SHOE
503	ASSEMBLY, CONTROL CAP / SLEEVE
505	PLUG, SAE
506	O-RING
508	SCREW, SHC, METRIC
009	O-RING
010	O-RING
018	O-RING
038	O-RING
CONTROL PARTS	
ITEM	DESCRIPTION
F01	F-CONTROL COVER PLATE
F02	SCREW, SHC, METRIC
VOLUME STOPS	
ITEM	DESCRIPTION
701	STEM, VOLUME STOP
702	GLAND, VOLUME STOP
703	LOCKNUT, VOLUME STOP
704	O-RING
705	O-RING
706	BACK-UP RING

519261

Telephone: (414) 327-1700
Fax: (414) 327-0532

OILGEAR
2300 So. 51st. Street
Milwaukee, WI USA 53219

Issued: Oct., 2002
DS-947728