

OILGEAR TYPE "DV-H" TWO-WAY VARIABLE DELIVERY PUMPS.

WITH ELECTRO-HYDRAULIC SERVOCONTROL

SIZES 100 & 150



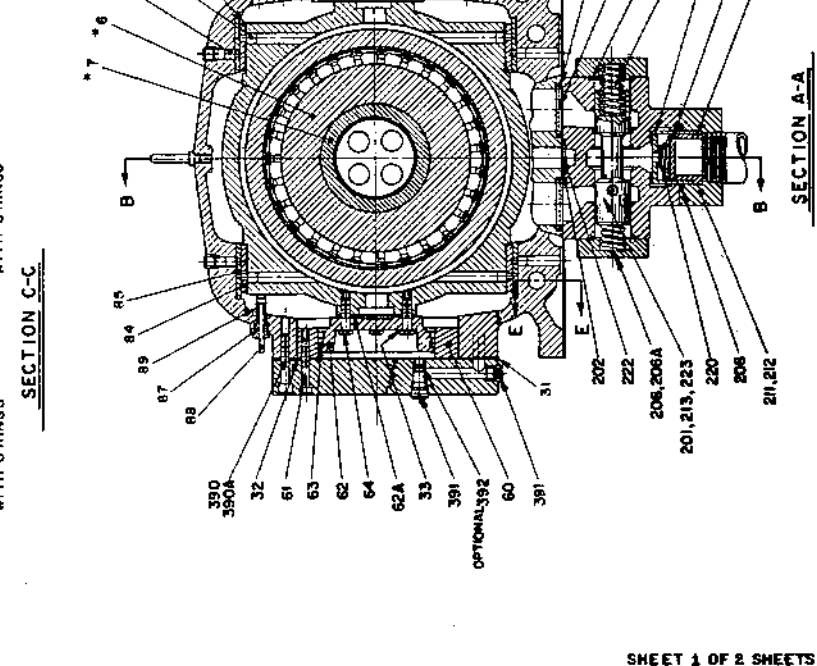
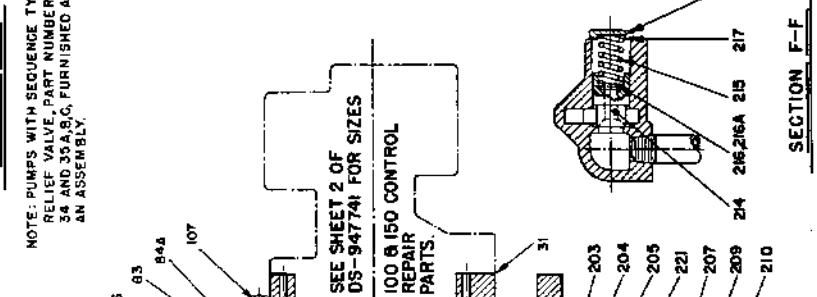
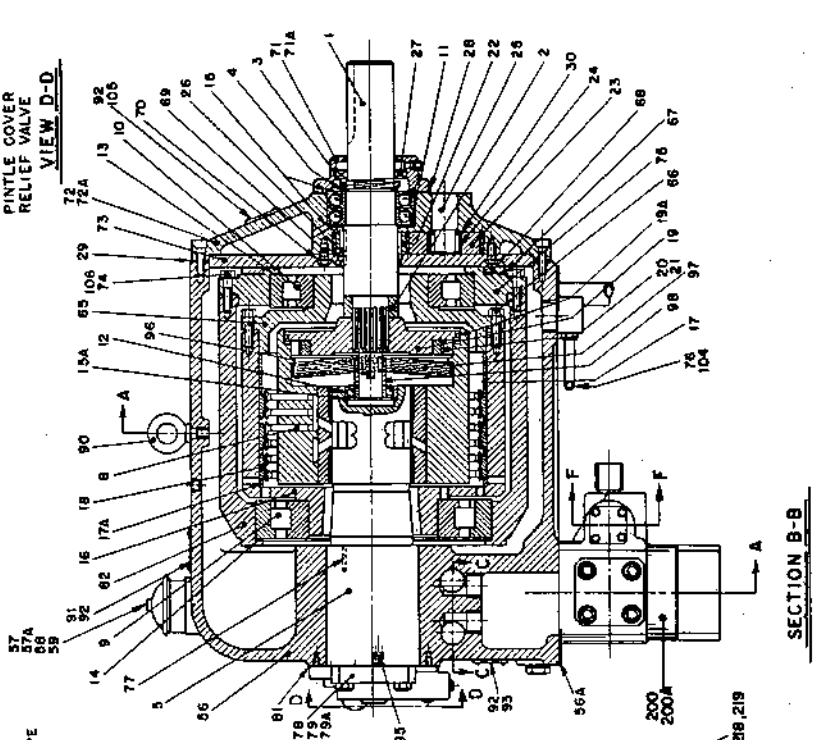
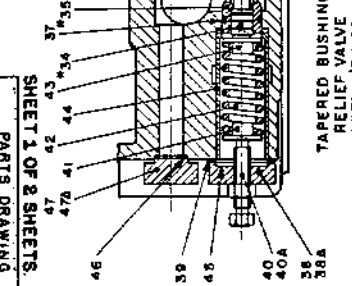
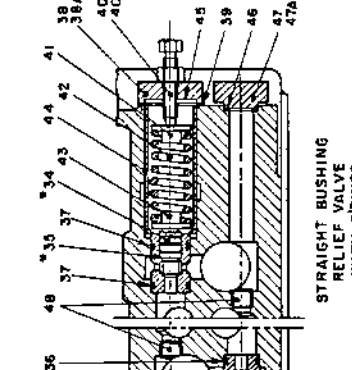
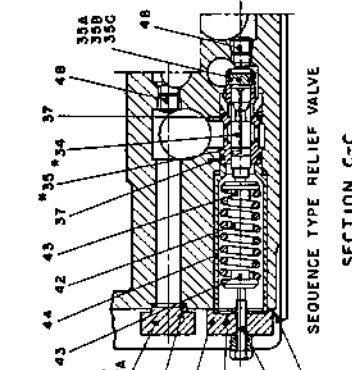
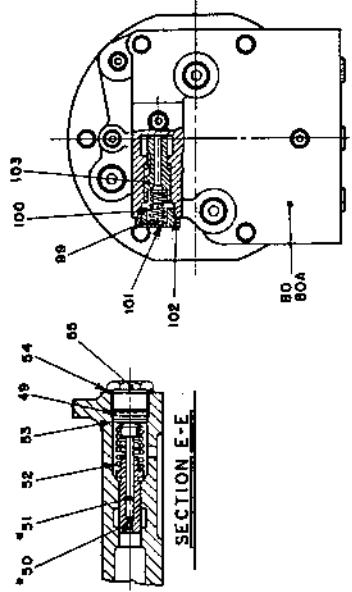
LITHO IN U.S.A. 501070-B

NOTE: WHEN ORDERING PARTS, BE SURE TO INCLUDE SERIAL NUMBER, PART NUMBER, AND DATA SHEET NUMBER. SPECIFY TYPE OF HYDRAULIC FLUID FOR ORINGS AND SEALS.

COOLER INSTALLATION DRAWING: DS-47905
COOLER CIRCUIT DRAWING: DS-947906 (TWO-WAY PUMPS)
DS-947905 (ONE WAY PUMPS)

PARTS DRAWING
TYPE "DV-H" 100-150 PUMPS
DR. RCB
TH. APR 62

501070-B



NOTE: PUMPS WITH SEQUENCE TYPE RELIEF VALVE, PART NUMBERS 34 AND 35 A.S.C. FURNISHED AS AN ASSEMBLY.

SEE SHEET 2 OF DS-947741 FOR SIZES 100 & 150 CONTROL REPAIR PARTS.

OPTIONAL 392

REISSUED: NOV., 1961

THE OILGEAR COMPANY
MILWAUKEE 4, WISCONSIN U.S.A.

SHEET 1 OF 2 SHEETS.
DS-947741-B

PARTS LIST
OILGEAR TYPE "DV-H" VARIABLE DELIVERY PUMPS
SIZES 100 & 150

Part No.	Description	Part No.	Description	Part No.	Description
1.	Shaft, Drive	45.	Shims, Retainer	87.	Bushing, Indicator
2.	Spacer, Coupling	46.	Gasket, Aux. Port	88.	Stem, Indicator
3.	Nut, Lock	47.	Cap, Aux. Port	89.	Spring, Indicator
4.	Washer, Lock	47A.	Screw, Sock. Hd. Cap	90.	Eye Bolt
5.	Pintle	48.	Plug, Pipe	91.	Plate, Name
*6.	Cylinder	49.	Spacer, G. P. R. V.	92.	Screw, Drive
*7.	Bushing, Cylinder	*50.	Plunger, Dashpot	93.	Plate, Cooler Inst.
8.	Piston, Radial	*51.	Plunger, G. P. R. V.	95.	Plug, Orifice
9.	Bearing, Rear Rotor	52.	Spring, G. P. R. V.	96.	Ball, Steel
10.	Bearing, Front Rotor	53.	Shims, G. P. R. V.	97.	Spring, Flat
11.	Bearing, Frt. Drive Shft.	54.	Gasket, G. P. R. V. Cap	98.	Yoke, Flat Spring
12.	Bearing, Rear Drive Shft.	55.	Cap, G. P. R. V.	99.	Cap, Pintle Cover, R. V.
13.	Shims, Frt. Rotor Bearing	56.	Case, Pump	100.	Spring, Pintle Cover R. V.
14.	Shims, Rear Rotor Bear.	56A.	Gasket, Pump Mounting	101.	Shims, Pintle Cover R. V.
15.	Shims, Frt. Drive Shft. Brg.	57.	Assembly, Oil Filter	102.	Gasket, Cap
15A.	Shims, Rear Dr. Shft. Brg.	57A.	Element, Filter	103.	Plunger, Pintle Cover R. V.
16.	Rotor	58.	Valve, Flow Control	104.	Tubing, w/Fittings
17.	Ring, Spacer	59.	Gage, Filter	105.	Plate, Rot. Name
17A.	Ring, Spacer	60.	Adapter, Control Piston	106.	Wire, Lock
18.	Ring, Thrust	61.	Screw, Sock. Hd. Cap	107.	Plug, Parker
19.	Flange, Coupling	62.	Piston, Control		
19A.	Ring, Coupling Piston	62A.	Shims, Control Piston	200.	Body, Suction Valve
20.	Roller, Coupling	63.	Ring, Piston	200A.	Screw, Sock. Hd. Cap
21.	Ring, Coupling	64.	Screw, Control Piston	201.	Plunger, Suction Valve
22.	Gear, G. P. Driving	65.	Head, Rotor	202.	Seal, O'ring
23.	Gear, G. P. Driven	66.	Screw, Rotor Head	203.	Seal, O'ring
24.	Bearing, Roller	67.	Shims, Slideblock Cover	204.	Retainer, O'ring
25.	Shaft, Stub	68.	Ring, Slideblock Spacer	205.	Seal, O'ring
26.	Key, Drive Shaft	69.	Screw, G. P. Cover	206.	Flange, Plunger
27.	Seal, Fluid	70.	Gasket, G. P. Cover Screw	206A.	Screw, Sock. Hd. Cap
28.	Gasket, Seal Gland	71.	Gland, Oil Seal	207.	Cage, Check Valve
29.	Gasket, G. P. Housing	71A.	Screw, Sock. Hd. Cap	208.	Seal, O'ring
30.	Spacer, Bearing	72.	Housing, G. P.	209.	Disc, Check Valve
31.	Gasket, Control Mount.	72A.	Screw, Sock. Hd. Cap	210.	Seat, Check Valve
32.	Gasket, Control Adap.	73.	Cover, Gear Pump	211.	Screw, Flange
33.	Gasket, Piston Screw	74.	Screw, Slideblock Cover	212.	Flange, Suction
*34.	Plunger, H. P. R. V.	75.	Cover, Slideblock End	213.	Plug Orifice
*35.	Bushing, H. P. R. V.	76.	Tubing w/Fittings	213A.	Plug, Pipe
35A.	Plug, Bushing	77.	Key, Pintle	214.	Plunger, B. P. R. V.
35B.	Seal, O'ring	78.	Gasket, Flange	215.	Spring, B. P. R. V.
35C.	Ring, Retaining	79.	Flange, Pipe	216.	Shims, B. P. R. V.
36.	Seal, O'ring	79A.	Screw, Sock. Hd. Cap	216A.	Washer, Shims
37.	Seal, O'ring	80.	Cover, Pintle End	217.	Gasket, Flange
38.	Cap, H. P. R. V.	80A.	Screw, Sock. Hd. Cap	218.	Flange, B. P. R. V.
38A.	Screw, Sock. Hd. Cap	81.	Gasket, Pintle Cover	219.	Screw, Flange
39.	Gasket, H. P. R. V. Cap	82.	Slideblock	220.	Spring, Check Valve
40.	Screw, H. P. R. V. Adj.	83.	Pin Dowel	221.	Spring, Plunger
40A.	Nut, Adj. Screw Lock	84.	Liner, Slideblock	222.	Retainer, O'ring
41.	Guide, Spring	84A.	Shims, Liner	390.	Head, End
42.	Spring, H. P. R. V.	85.	Liner, Case	390A.	Screw, Sock. Hd. Cap
43.	Guide, Spring	86.	Pin, Dowel	391.	Plug, Pipe
44.	Retainer, Bushing			392.	Plug, Orifice

Note: * Parts numbered 6 & 7; 34 & 35, A, B, C; 50 & 51 are furnished only as assemblies. When ordering replacement parts be sure to include pump serial number, data sheet (DS) no. and part no. Specify type of hydraulic fluid for O'rings, packings and seals.

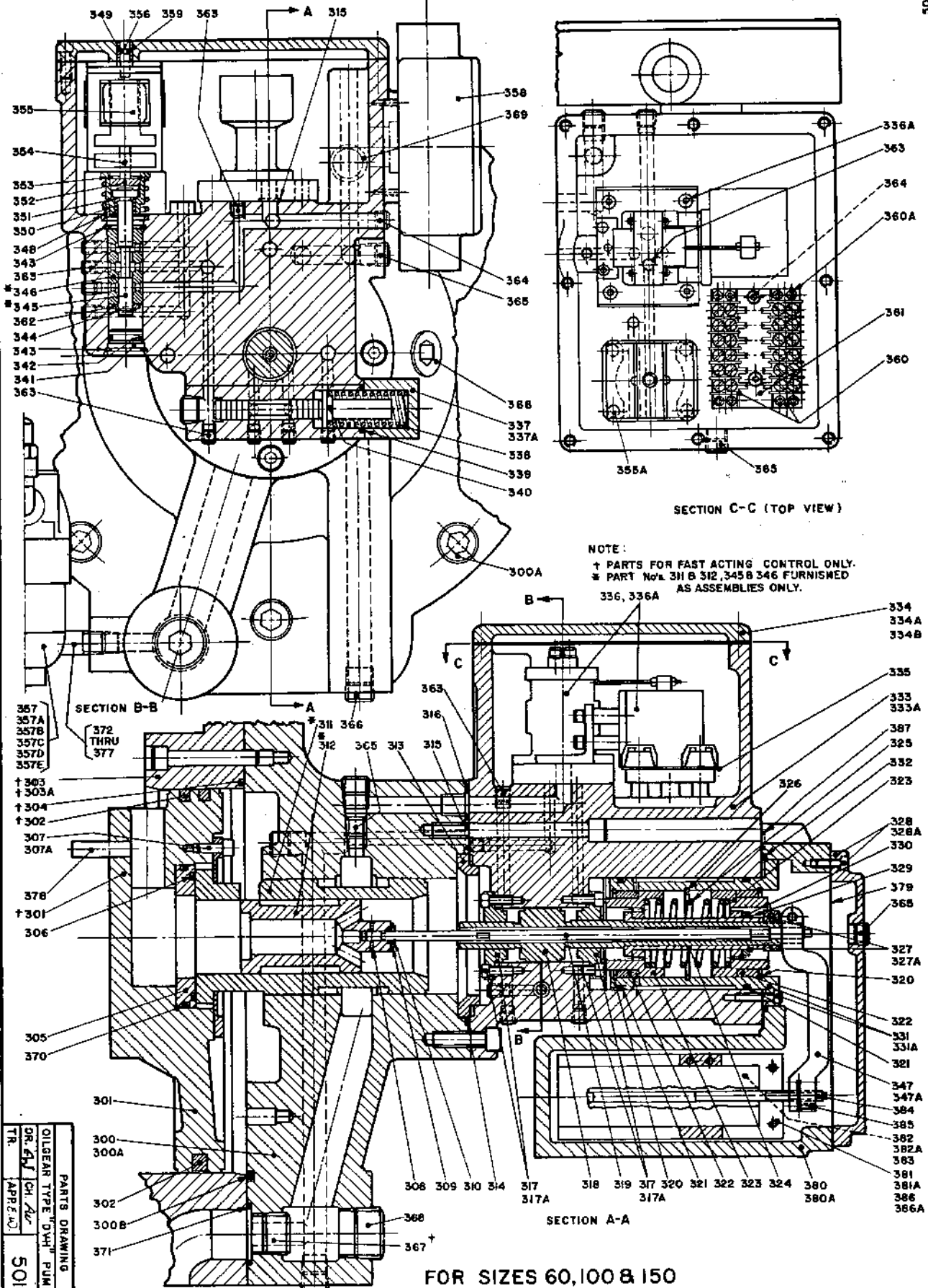
O'RING SIZES

Part No.	Cross Section	x	I. D.	x	O. D.	Duro \pm 5
35B.	3/32	x	5/8	x	13/16	70
36.	1/8	x	1-1/2	x	1-3/4	70
37.	1/8	x	1-5/8	x	1-7/8	70
202.	1/8	x	4-1/8	x	4-3/8	90
203.	3/16	x	3-1/4	x	3-5/8	90
205.	1/8	x	2-3/4	x	3	90
208.	3/16	x	4	x	4-3/8	90

OILGEAR TYPE "DVH" TWO-WAY VARIABLE DELIVERY PUMP WITH ELECTRO-HYDRAULIC SERVOCONTROL CONTROL PARTS DRAWING



501070-B



NOTE:
 † PARTS FOR FAST ACTING CONTROL ONLY.
 * PART Nos. 311 B 312, 345 B 346 FURNISHED AS ASSEMBLIES ONLY.
 336, 336A

PARTS DRAWING
 OILGEAR TYPE "DVH" PUMPS
 DR. A. J. CH. AIR
 APR. 2, 1961
 501070-B

FOR SIZES 60, 100 & 150

SH. 2: NO. SH. 2

REISSUED-NOV., 1961

THE OILGEAR COMPANY
MILWAUKEE 4, WISCONSIN, U.S.A.

DS-947741-B

CONTROL PARTS LIST
OILGEAR TYPE "DV-H" PUMPS
SIZES 60, 100, 150

<p>Part No. Description</p> <p>300 Hous. Hyd. Amplifier</p> <p>300A. Screw, Sock Hd. Cap</p> <p>300B. Seal, O'ring</p> <p>301. Piston, Control</p> <p>† 301. Piston, Control</p> <p>302. Ring, Piston</p> <p>† 302. Ring, Piston</p> <p>† 303. Adapter, Control Piston</p> <p>† 303A. Screw, Sock Hd. Cap</p> <p>† 304. Seal, O'ring</p> <p>305. Plate, Spacer</p> <p>306. Seal, O'ring</p> <p>307. Plate, Retaining</p> <p>307A. Screw, Sock. Hd. Cap</p> <p>308. Pin, Roll</p> <p>309. Spacer, Plunger</p> <p>310. Ring, Retaining</p> <p>* 311. Bushing, Plunger</p> <p>* 312. Plunger, Amplifier</p> <p>313. Adapter, Control</p> <p>314. Seal, O'ring</p> <p>315. Seal, O'ring</p> <p>316. Seal, O'ring</p> <p>317. Gland, Stroker Piston</p> <p>317A. Screw, Sock. Hd. Cap</p> <p>318. Piston, Amplifier</p> <p>319. Stem, Piston</p> <p>320. Ring, Retaining</p> <p>321. Seal, O'ring</p> <p>322. Liner, Centering Cyl.</p> <p>323. Piston, Centering Cyl.</p> <p>324. Spacer, Centering Cyl.</p> <p>325. Spring, Centering Cyl.</p> <p>326. Ring, Retaining</p> <p>327. Collar, Clamping</p> <p>327A. Screw, Sock. Hd. Cap</p> <p>328. Cover, End</p> <p>328A. Screw, Sock. Hd. Cap</p> <p>329. Ring, Retaining</p>	<p>Part No. Description</p> <p>330. Ring, Spacer</p> <p>331. Cylinder, Centering</p> <p>331A. Screw, Sock. Hd. Cap</p> <p>332. Seal, O'ring</p> <p>333. Housing, Control</p> <p>333A. Screw, Sock. Hd. Cap</p> <p>334. Cover, Housing</p> <p>334A. Screw, Sock. Hd. Cap</p> <p>334B. Gasket, Cover</p> <p>335. Strip, Back-up</p> <p>336. Assembly, Servo Valve</p> <p>336A. Screw, Sock. Hd. Cap</p> <p>337. Cover, Plunger</p> <p>337A. Screw, Sock. Hd. Cap</p> <p>338. Spring, By-pass Plunger</p> <p>339. Seal, O'ring</p> <p>340. Plunger, By-pass</p> <p>341. Plug, Sealing</p> <p>342. Seal, O'ring</p> <p>343. Ring, Retaining</p> <p>344. Ring, Retaining</p> <p>* 345. Plunger, Fail Safe</p> <p>* 346. Bushing, Plunger</p> <p>347. Collar, Outer Clamping</p> <p>347A. Screw, Sock. Hd. Cap</p> <p>348. Spring, Cage</p> <p>349. Bushing, Rod</p> <p>350. Cage, Spring</p> <p>351. Spring, Plunger</p> <p>352. Disc, Push Rod</p> <p>353. Ring, Retaining</p> <p>354. Pin, Solenoid</p> <p>355. Solenoid</p> <p>355A. Screw, Sock. Hd. Cap</p> <p>356. Rod, Solenoid Push</p> <p>357. Assembly, Oil Filter</p> <p>357A. Nut, Ermeto</p> <p>357B. Gasket, Ermeto</p>	<p>Part No. Description</p> <p>357C. Ring, Ermeto</p> <p>357D. Elbow, Ermeto</p> <p>357E. Element, Filter</p> <p>358. Assem, Outlet Box</p> <p>359. Seal, O'ring</p> <p>360. Board, Terminal</p> <p>360A. Screw, Sock. Hd. Cap</p> <p>361. Plate, Backing</p> <p>362. Spacer, Plunger</p> <p>363. Plug, 1/16" Pipe</p> <p>364. Plug, 1/8" Pipe</p> <p>365. Plug, 1/4" Pipe</p> <p>366. Plug, 3/8" Pipe</p> <p>† 367. Plug, 3/4" Pipe</p> <p>368. Plug, 1" Pipe</p> <p>369. Seal, O'ring</p> <p>370. Seal, O'ring</p> <p>371. Seal, O'ring</p> <p>372. Elbow, Ermeto</p> <p>373. Elbow, Ermeto</p> <p>374. Nut, Ermeto</p> <p>375. Sleeve, Ermeto</p> <p>376. Nipple, 3/8" Steel</p> <p>377. Tubing, Seamless Steel</p> <p>378. Pin, Dowel</p> <p>379. Gasket, L. V. D. T. Cover</p> <p>380. Housing L. V. D. T.</p> <p>380A. Screw, Sock. Hd. Cap</p> <p>381. Assembly, L. V. D. T.</p> <p>381A. Screw, Sock. Hd. Cap</p> <p>382. Cover, L. V. D. T. Side</p> <p>382A. Screw, Sock. Hd. Cap</p> <p>383. Gasket, Cover</p> <p>384. Stem, L. V. D. T.</p> <p>385. Screw, Half Dog. Pt. Set</p> <p>386. Clamp Cable</p> <p>386A. Screw, Sock. Hd. Cap</p> <p>387. Seal, O'ring</p>
---	--	---

Note: * Parts numbered 311 & 312, 345 & 346 are furnished only as assemblies.

† Indicates parts applicable to fast action control.

When ordering replacement parts, be sure to include unit serial number, part number and data (DS) sheet number.

Specify type of hydraulic fluid for O'rings, packings and seals.

O'Ring Sizes

(Cross Section x I. D. x O. D. - Duro + 5)

PART NO.	PUMP SIZES		
	60 - 100 - 150		
314.	1/8 x 4-1/4 x 4-1/2	-90	
315.	1/16 x 3/8 x 1/2	-70	
316.	3/32 x 9/16 x 3/4	-70	
321.	1/8 x 2-1/2 x 2-3/4	-90	
332.	1/8 x 3-7/8 x 4-1/8	-90	
339.	1/8 x 15/16 x 1-3/16	-90	
342.	3/32 x 11/16 x 7/8	-70	
359.	1/16 x 1/8 x 1/4	-70	
306.	1/8 x 3 x 3-1/4	-90	
370.	1/8 x 3-3/8 x 3-5/8	-90	
387.	3/32 x 9/16 x 3/4	-70	
	60	100	150
300B.	1/8 x 8-3/4 x 9 -90	1/4 x 11 x 11-1/2 -90	1/4 x 11-1/2 x 12 -90
304.	1/8 x 6 x 6-1/4 -90	1/8 x 8-1/4 x 8-1/2 -90	1/8 x 7-1/2 x 7-3/4 -90
369.	3/32 x 5/8 x 13/16 -70	3/32 x 5/8 x 13/16 -70	3/32 x 11/16 x 7/8 -70
371.	1/8 x 1-1/4 x 1-1/2 -90	1/8 x 1-1/4 x 1-1/2 -90	1/8 x 1-1/4 x 1-1/2 -90