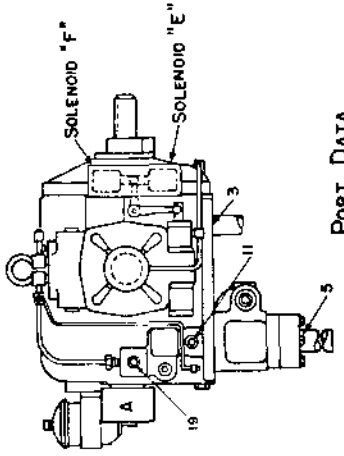


TYPE "DXP" PUMP SIZES 100 & 150 HP (STD.)



(SH. 1) 58454

ENERGIZE SOLENOID "F" FOR PRESSURE AT PORT "A"
ENERGIZE SOLENOID "E" FOR PRESSURE AT PORT "B"



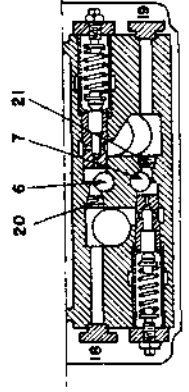
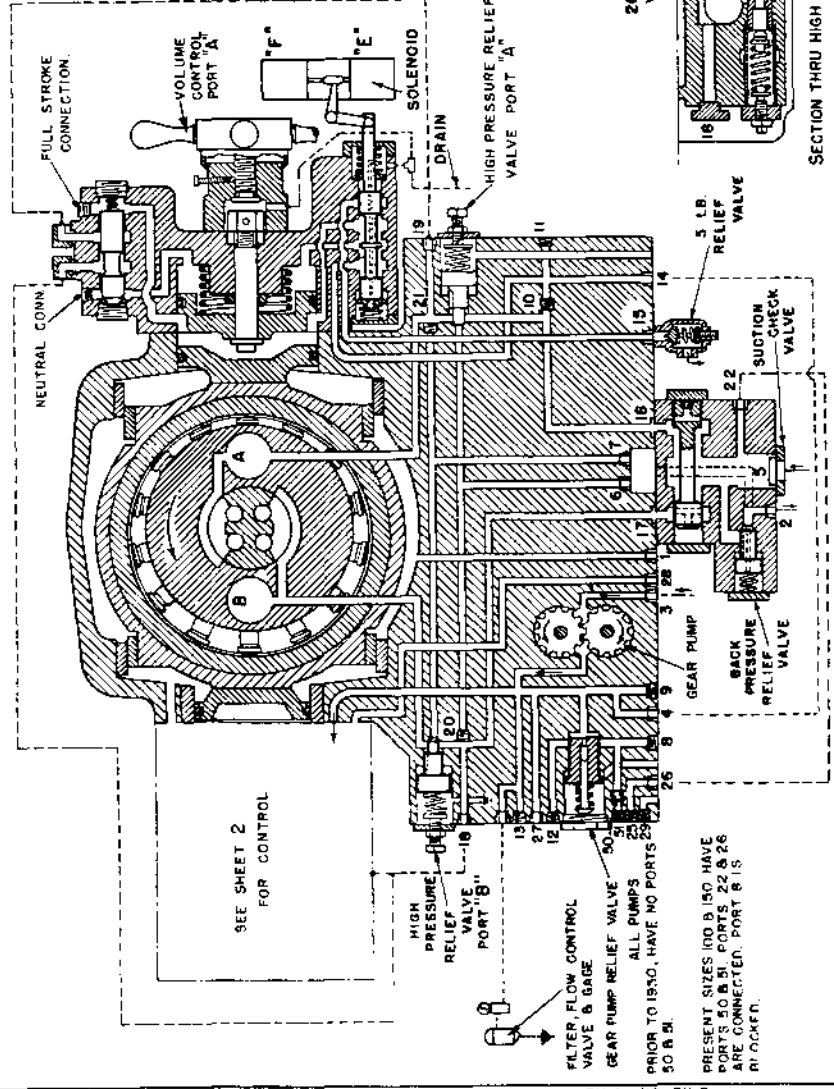
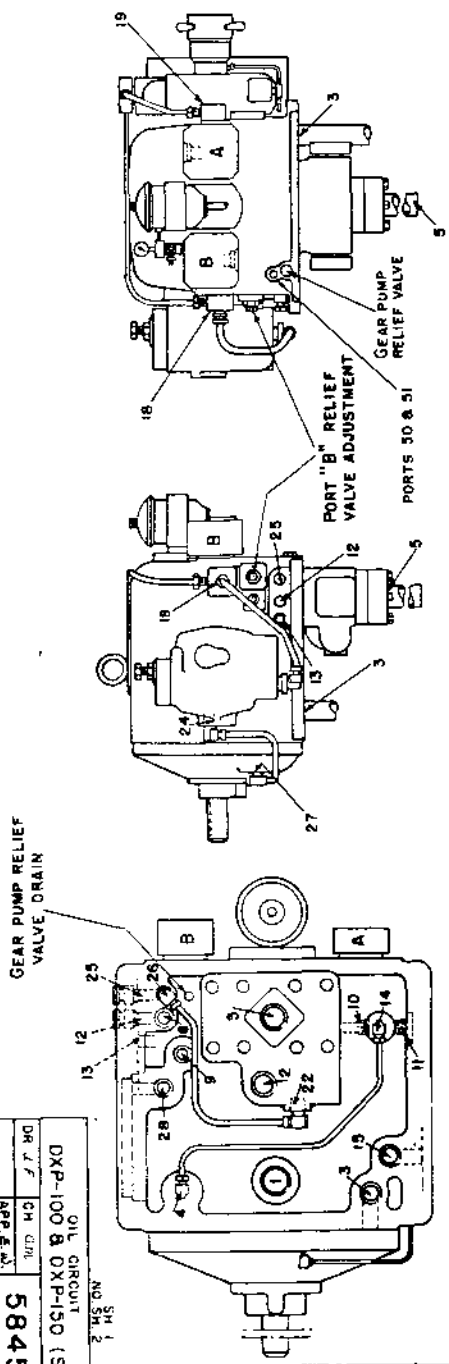
PORT DATA

PUMP NO.	PUMP SIZE	PORT DESCRIPTION	PIPE TAP
A	100/150	RETURN CONNECTION	2 1/2"
B	100/150	HIGH PRESSURE CONNECT.	2 1/2"
1	100/150	CASE DRAIN	2 2"
2	100/150	EXCESS RETURN EXHAUST	2 2"
3	100/150	GEAR PUMP SUCTION	1 1/4"
4	100/150	GEAR PUMP PRESSURE	3/8"
5	100/150	PUMP SUCTION	3 3"
6	100/150	"A" REL. VALVE EXHAUST	1 1/4"
7	100/150	"B" REL. VALVE EXHAUST	1 1/4"
8	100/150	G.P. REL. VALVE EXHAUST	3/8"
9	100/150	GEAR PUMP PRESSURE	1 1"
10	100/150	"A" CORE TO CONTROL CONN.	3/4"
11	100/150	"A" SIDE CONTROL CONN.	3/4"
12	100/150	G.P. REL. VALVE EXHAUST	3/4"
13	100/150	GEAR PUMP PRESSURE	3/4"
14	100/150	"A" SIDE CONTROL CONN.	1 1"
15	100/150	"A" SIDE CONTROL. E.H.	1 1/4"
16	100/150	"A" CORE SIZE	3 3"
17	100/150	"B" CORE SIZE	3 3"
18	100/150	"B" CORE CONNECTION	3 3"
19	100/150	"A" CORE CONNECTION	3 3"
20	100/150	"A" REL. VALVE CROSS CONN.	3/8"
21	100/150	"B" REL. VALVE CROSS CONN.	3/8"
22	100/150	STANDARD SUPERCHARGE	3/8"
24	100/150	GEAR PUMP CONNECT.	3/8"
25	100/150	AUXILIARY CONNECT.	3/8"
26	100/150	AUXILIARY CONNECT.	3/8"
27	100/150	GEAR PUMP PRESSURE	3/8"
28	100/150	"B" SIDE CONTROL EXH.	1 1/4"
29	100/150	"B" FILTER DRAIN	1 1/4"
30	100/150	CAGE CONNECTION	1 1/2"
35	100/150	PRESSURE CONNECTION	1 1/2"
50	100/150	G.P.R.V. EXHAUST	1 1/2"
51	100/150	ACCESS PORT TO PORT 50	3/4"

* BLANK FLANGE UNLESS OTHERWISE SPECIFIED

INSTALLATION DRAWING - DS-47805
COOLER INSTALLATION DRAWING - DS-47905
COOLER OIL CIRCUIT - DS-47905
COOLERS ARE NOT FURNISHED WITH PUMPS.

NOTE:
PUMP SHOWN AT FULL STROKE.
OIL CIRCUIT SHOWS THE PUMP LOOKING FROM FLANGE END.
EXTERNAL PIPE LINES: --- CORED OR DRILLED PASSAGES: --- OPEN PORTS: --- PLUGGED PORTS: ---



SECTION THRU HIGH PRESSURE RELIEF VALVES

DR. J. F. CH. M. D. APP. E. A.
OIL CIRCUIT
DXP-100 & DXP-150 (STD.)
58454
NO. SH. 2
1 1/4"

ISSUED MARCH 2, 1953

THE OILGEAR COMPANY
MILWAUKEE, WISCONSIN, U.S.A.

SH. 1: NO. SH. 2
DS-947824

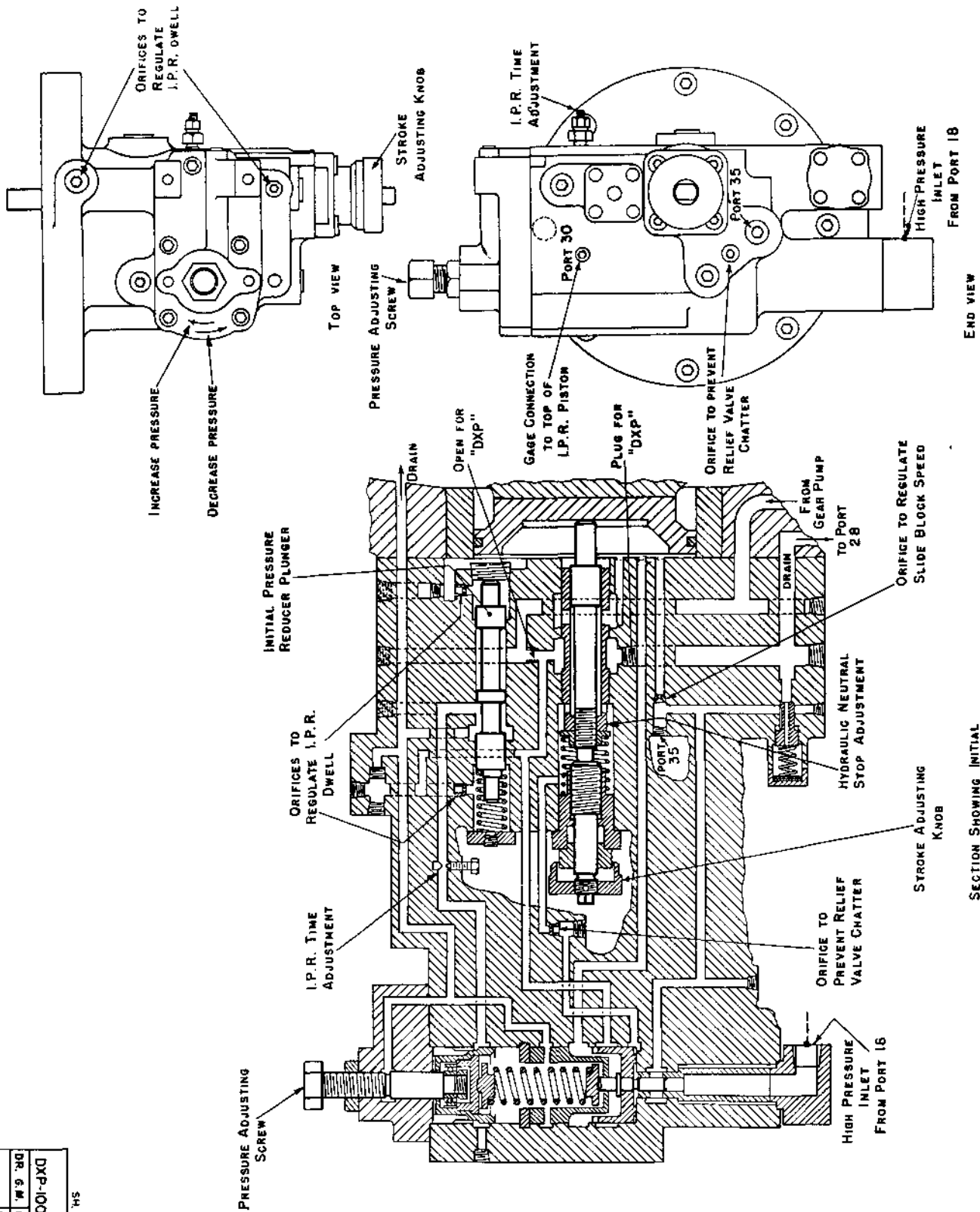
PRESENT SIZES 100 & 150 HAVE PORTS 50 & 51. PORTS 22 & 26 ARE CONNECTED. PORT 8 IS BLOCKED.
PRIOR TO 1950, HAVE NO PORTS 22 & 26.

SEE SHEET 2 FOR CONTROL

TYPE "DXP" PUMP
SIZES 100 & 150 HP (STD.)



(SH. 2) 58454



SECTION SHOWING INITIAL
PRESSURE REDUCING CONTROL

DR. G.M.	OIL CIRCUIT	58454
CHK. G.M.	DXP-100 & DXP-150 (STD.)	
APP. G.M.		

ISSUED MARCH 2, 1953

THE OILGEAR COMPANY
MILWAUKEE 4, WISCONSIN, U.S.A.

SH. 2 :: NO. SH. 2
DS-947824