

55770-B  
 SPECIAL "DXP" PUMP  
 PARTS DRAWING

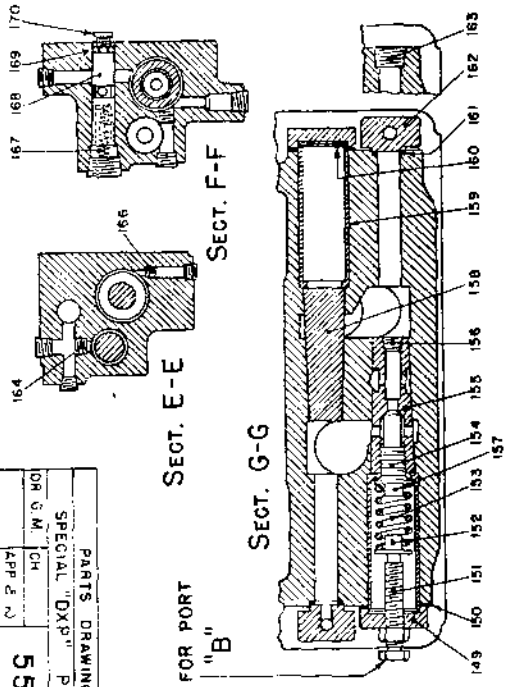
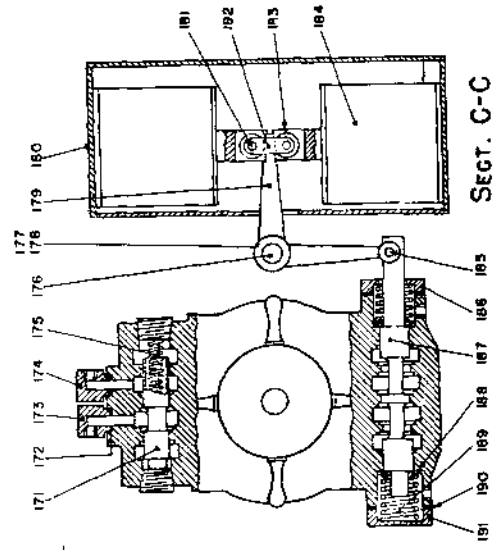
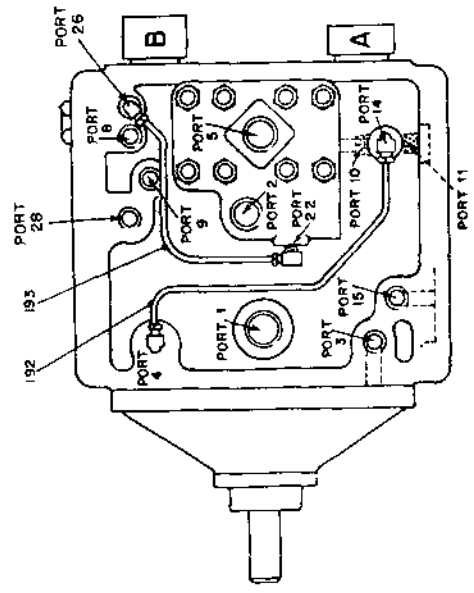
REISSUED JAN 6, 1951

# PARTS DRAWING SPECIAL "DXP" PUMP

OIL CIRCUIT DS-947827-A  
 COOLER INSTALLATION  
 DRAWING DS-47903  
 COOLER OIL CIRCUIT  
 DS-947905



53770-B



\* ITEMS 49 & 50 ARE FURNISHED ONLY AS COMPLETE ASSEMBLY.

NOTE: WHEN ORDERING PARTS BE SURE TO GIVE SERIAL NUMBER OF PUMP

PARTS LIST  
OILGEAR SPECIAL "DXP" PUMPS

NO.	PARTS	NO.	PARTS	NO.	PARTS
1.	Seat, Check Valve Disc	64.	Cover, Pintle	126.	Screw, Slide Block Cover
2.	Disc, Check Valve	65.	Flange, Pipe Connection	127.	Cover, Slide Block
3.	Gasket, C.V. Cap	66.	Gasket, Pipe Connection	128.	Flange, Coupling
4.	Spacer, Plunger	67.	Cover, Stroke Adj. Knob	137.	Ell, Ports 4 and 14
5.		68.	Nut, Stroke Adj. Screw	138.	Ring, Spacer
6.	Cage, Check Valve	69.	Knob, Stroke Adj.	139.	Ring, Thrust
7.	Gasket, Suction Valve Flange	70.	Handle, Stroke Adj. Knob	140.	Ell, Ports 22 and 26
8.	Plunger, Suction Valve	71.	Gland, "DX" Control	141.	Pipe, B.P.R.V. Discharge
9.	Flange, Suction Valve	72.	Drain, "DX" Cont. Gland	142.	Pipe, Suction Check Valve
10.	Gasket, Suct. Valve Body	73.	Housing, "DX" Control	143.	Plunger, B.P.R.V.
11.	Piston, Small Control	74.	Dowel, Slide Block Liner	144.	Spring, B.P.R.V.
12.	Ring, Small Cont. Piston	75.	Liner, Slide Block	145.	Shim, B.P.R.V.
13.	Gasket, Cont. Piston Adapter	76.	Liner, Pump Case	146.	Plug, B.P.R.V.
14.	Adapter, Cont. Piston	77.	Dowel, Case Liner	147.	Gasket, B.P.R.V.
15.	Plug, Pipe	78.	Gasket, Suction Valve	148.	Cap, B.P.R.V.
16.		79.	Spacer, Suction Valve	149.	Cap, H.P.R.V.
17.	Guide, Unloading V. Plunger	80.	Choke, Suction Plunger	150.	Gasket, H.P.R.V. Cap
18.	Cap, Peak Relief Valve	81.	Body, Suction Valve	151.	Screw, H.P.R.V. Adj.
19.	Gasket, Cap	82.	Flange, Check Valve	152.	Guide, H.P.R.V. Spring
20.	Spacer, Peak Relief Valve	83.	Screw, C.V. Flange	153.	Spring, H.P.R.V.
21.	Seat, Peak Relief Valve	84.	Plunger, G.P.R.V.	154.	Plunger, H.P.R.V.
22.	Sleeve, Peak Relief Valve	85.	Plunger, G.P.R.V. Dashpot	155.	Bushing, H.P.R.V.
23.	Plunger, Unloading Valve	86.	Spring, G.P.R.V.	156.	Plug, Pipe
24.	Plunger, Peak Relief Valve	87.	Shim, G.P.R.V.	157.	Seat, H.P.R.V. Spring
25.	Guide, Unloading V. Spring	88.	Gasket, G.P.R.V. Cap	158.	Spring, H.P.R.V.
26.	Seat, Unloading, V. Spring	89.	Cap, G.P.R.V.	159.	Bushing, H.P.R.V. Retainer
27.	Shim, Peak R.V. 5/32"	90.	Gasket, Oil Reservoir	160.	Shim, H.P.R.V. Cap
28.	Shim, Peak R.V. 3/32"	91.	Pintle	161.	Gasket, H.P.R.V. Blind Cap
29.	Spring, Unloading Valve	92.	Case	162.	Cap, H.P.R.V. Blind
30.	Body, "DP" Control	93.	Key, Pintle Locating	163.	Plug, Pipe
31.	Gasket, "DP" Control Head	94.	Bearing, Rear Rotor	164.	Plug, Pipe
32.	Spring, Peak Relief Valve	95.	Shim, Rear Rotor Bearing	165.	Plug, Pipe
33.	Nameplate, Control	96.		166.	Plug, Pipe
34.	Guide, Unloading V. Stem	97.	Eyebolt	167.	Spring, Neutral Stop Plunger
35.	Head, "DP" Control	98.	Bearing, Rear Shaft	168.	Plunger, Neutral Stop
36.	Screw, Unloading V. Adj.	99.	Roller, Coupling	169.	Nut, Adj. Screw Lock
37.	Shim, Unloading Valve	100.	Ring, Coupling	170.	Screw, Neutral Stop Adj.
38.	Stem, Stroke Indicator	101.	Cover, Rotor	171.	Plunger, Bypass Valve
39.	Bushing, Stroke Indicator	102.	Screw, Rotor Cover	172.	Gasket, Flange
40.	Screw, Small Cont. Piston	103.	Spacer, Coupling	173.	Flange, Pipe
41.	Washer, Small Cont. Piston	104.	Bearing, Front Rotor	174.	Flange, Pipe
42.	Spacer, Small Cont. Piston	105.	Shim, Slide Block	175.	Spring, Bypass V. Plunger
43.		106.	Ring, Slide Block Spacer	176.	Pin, Solenoid Lever
44.	Spring, Stroke Indicator	107.	Screw, G.P. Cover	177.	Collar, Solenoid Lever
45.		108.	Gasket, G.P. Cover Screw	178.	Bushing, Solenoid Lever
46.	Shim, Slide Block Liner	109.	Gear, G.P. Driver	179.	Lever, Solenoid
47.	Slide Block	110.	Key, G.P. Drive	180.	Cover, Solenoid
48.	Rotor	111.	Shim, Front Shaft Bearing	181.	Pin, Solenoid Link
49.	Cylinder*	112.	Gasket, Shaft Seal Housing	182.	Link, Solenoid
50.	Bushing, Cylinder*	113.	Seal, Drive Shaft Oil	183.	Roller, Solenoid
51.	Piston, Pump	114.	Shaft, Drive	184.	Solenoid
52.	Screw, Large Cont. Piston	115.	Housing, Shaft Seal	185.	Pin, Pilot Valve Plunger
53.	Piston, Large Control	116.	Nut, Bearing Lock	186.	Cap, Pilot Valve
54.	Ring, Large Cont. Piston	117.	Washer, Bearing Lock	187.	Plunger, Pilot Valve
55.	Gasket, "DX" Control Head	118.		188.	Seat, Pilot Valve Spring
56.		119.	Bearing, Front Shaft	189.	Spring, Pilot Valve Plunger
57.	Piston, "DX" Control	120.	Shaft, G.P. Stub	190.	Gasket, Pilot Valve Head
58.	Ring, "DX" Cont. Piston	121.	Bearing, G.P. Roller	191.	Flange, Pilot Valve
59.	Spring, "DX" Cont. Piston	122.	Gear, G.P. Driven	192.	Tubing, Port 4 to Port 14
60.	Screw, Stroke Adjusting	123.	Housing, Gear Pump	193.	Tubing, Port 22 to Port 26
61.	Gasket, "DX" Cont. Gland	124.	Cover, G.P. Housing	194.	Filter, Oil
62.	Screw, Stroke Adj. Lock	125.	Gasket, G.P. Housing	195.	Valve, Flow Control
63.	Gasket, Cover			196.	Gage, Change Indicator

\*Parts 49 and 50 furnished only as a complete assembly.

NOTE: When ordering parts be sure to give serial number of pump.