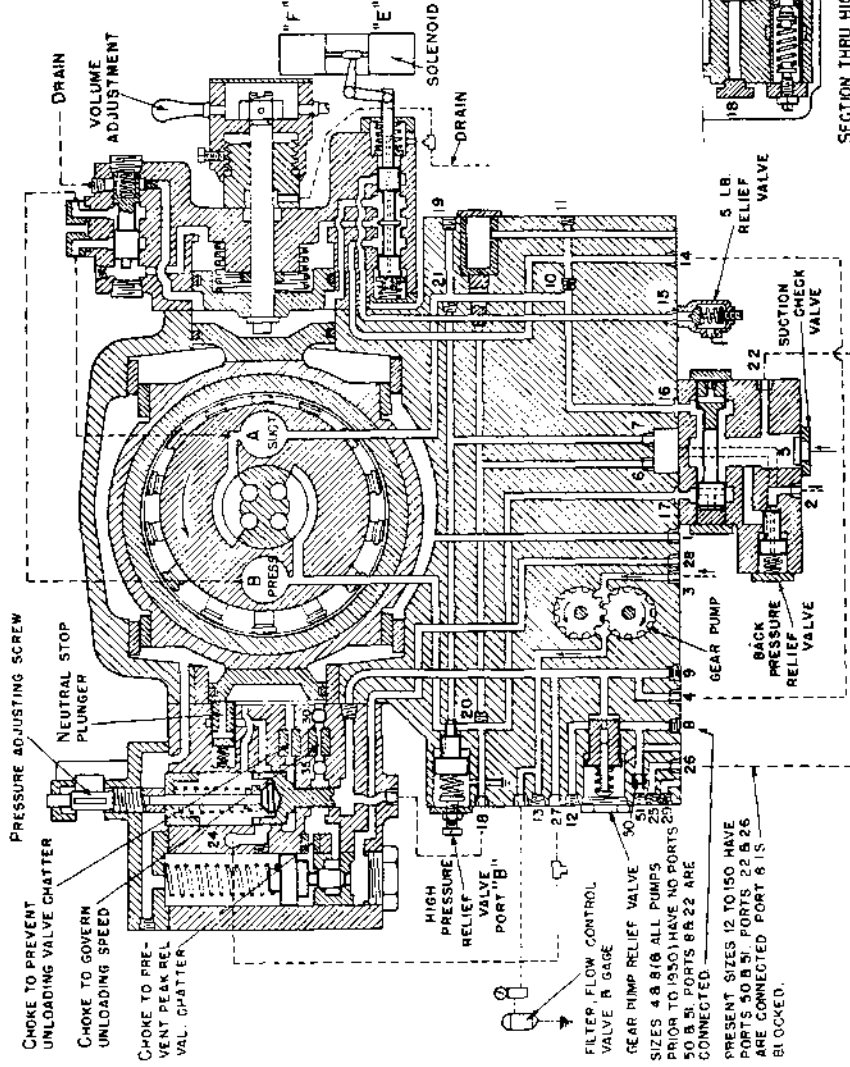
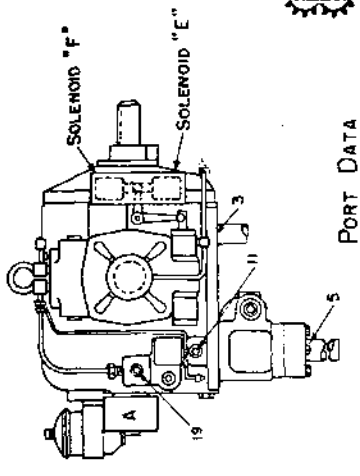
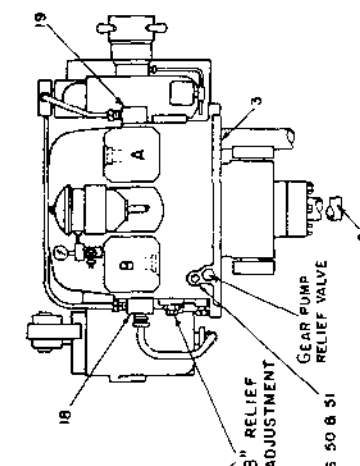
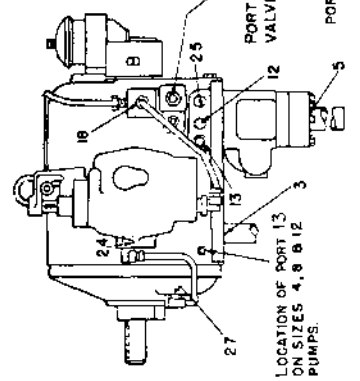
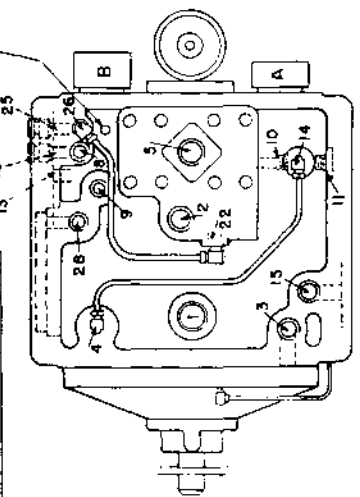
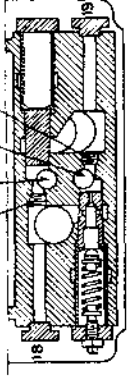


55764A
 OIL CIRCUIT
 SPECIAL "DXP" PUMP
 CH. DR. G. M.
 APP. 3. 51



PARTS DRAWING DS-947825-B
 COOLER INSTALLATION DRAWING DS-47905
 COOLER OIL CIRCUIT DS-947905
 COOLERS ARE NOT FURNISHED WITH PUMPS.

NOTE:
 PUMP SHOWN AT FULL STROKE.
 OIL CIRCUIT SHOWS THE PUMP LOOKING FROM FLANGE END.
 EXTERNAL PIPE LINES, CORED OR DRILLED PASSAGES
 OPEN PORTS:



SECTION THRU HIGH PRESSURE RELIEF VALVES

PORT DATA

PORT NO.	PUMP SIZE	PORT DESCRIPTION	PIPE TAP SIZE
A	12 20 35 60	RETURN CONNECTION	1/4 1/2 2 2 1/2
B		HIGH PRESSURE CONNECT	1/4 1/2 2 2 1/2
1		CASE DRAIN	1/4 1/2 2 2 1/2
2		EXCESS RETURN EXHAUST	1/4 1/2 2 2 1/2
3		GEAR PUMP SUCTION	1/4 1/2 2 2 1/2
4		GEAR PUMP PRESSURE	1/4 1/2 2 2 1/2
5		PUMP SUCTION	1/4 1/2 2 2 1/2
6		A' REL. VALVE EXHAUST	1/4 1/2 2 2 1/2
7		B' REL. VALVE EXHAUST	1/4 1/2 2 2 1/2
8		G.P. REL. VALVE EXHAUST	1/4 1/2 2 2 1/2
9		GEAR PUMP PRESSURE	1/4 1/2 2 2 1/2
10		A' CORE TO CONTROL CONN.	1/4 1/2 2 2 1/2
11		A' SIDE CONTROL CONN.	1/4 1/2 2 2 1/2
12		G.P. REL. VALVE EXHAUST	1/4 1/2 2 2 1/2
13		GEAR PUMP PRESSURE	1/4 1/2 2 2 1/2
14		A' SIDE CONTROL CONN.	1/4 1/2 2 2 1/2
15		A' SIDE CONTROL EXH.	1/4 1/2 2 2 1/2
16		A' CORE SIZE	1/4 1/2 2 2 1/2
17		B' CORE SIZE	1/4 1/2 2 2 1/2
18		A' CORE CONNECTION	1/4 1/2 2 2 1/2
19		A' CORE CONNECTION	1/4 1/2 2 2 1/2
20		A' REL. VALVE CROSS CONN.	1/4 1/2 2 2 1/2
21		B' REL. VALVE CROSS CONN.	1/4 1/2 2 2 1/2
22		STANDARD SUPERCHARGE	1/4 1/2 2 2 1/2
24		GEAR PUMP CONNECT	1/4 1/2 2 2 1/2
25		AUXILIARY CONNECT	1/4 1/2 2 2 1/2
26		AUXILIARY CONNECT	1/4 1/2 2 2 1/2
27		GEAR PUMP PRESSURE	1/4 1/2 2 2 1/2
28		B' SIDE CONTROL EXH.	1/4 1/2 2 2 1/2
29		OIL FILTER DRAIN	1/4 1/2 2 2 1/2
30		GAGE CONNECTION	1/4 1/2 2 2 1/2
35		PRESSURE CONNECTION	1/4 1/2 2 2 1/2
50		G.P. V. EXHAUST	1/4 1/2 2 2 1/2
51		ACCESS PORT TO PORT 50	1/4 1/2 2 2 1/2

SPECIAL 55764A