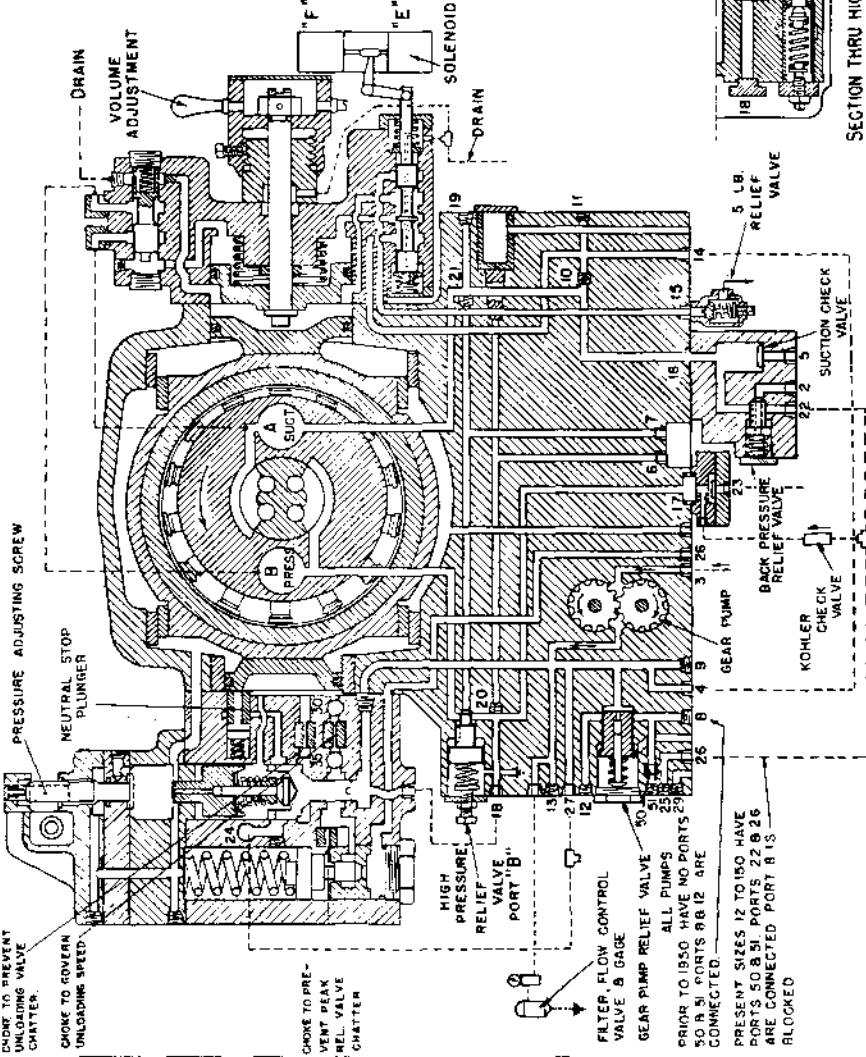
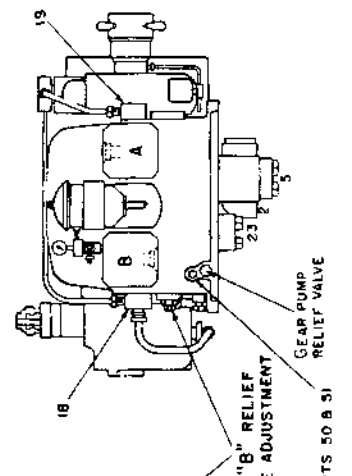
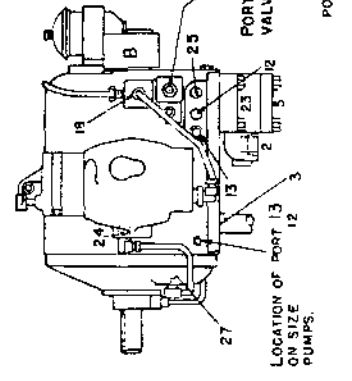
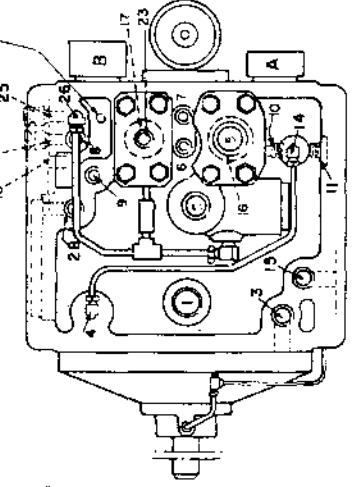


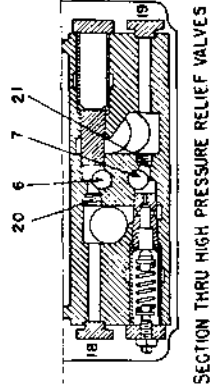
57862
SPECIAL "DXP" PUMP
OIL CIRCUIT

CH TO PREVENT UNLOADING VALVE CHATTER.
CH TO GOVERN UNLOADING SPEED.



PARTS DRAWING DS-947828
COOLER INSTALLATION DRAWING DS-94005
COOLER OIL CIRCUIT DS-947905
COOLERS ARE NOT FURNISHED WITH PUMPS.

NOTE:
PUMP SHOWN AT FULL STROKE.
OIL CIRCUIT SHOWS THE PUMP LOOKING FROM FLANGE END.
EXTERNAL PIPE LINES: ---
CORED OR DRILLED PASSAGES: ---
OPEN PORTS: ---
PLUGGED PORTS: ---



PORT DATA

PORT NO.	PUMP DESCRIPTION	PIPE TAP SIZE	12	20	35	80
A	RETURN CONNECTION		1/4	1/2	3/4	1
B	HIGH PRESSURE CONNECT.		1/4	1/2	3/4	1
1	CASE DRAIN		1/4	1/2	3/4	1
2	EXCESS RETURN EXHAUST		1/4	1/2	3/4	1
3	GEAR PUMP SUCTION		1/4	1/2	3/4	1
4	GEAR PUMP PRESSURE		1/4	1/2	3/4	1
5	PUMP SUCTION		1/4	1/2	3/4	1
6	'A' REL. VALVE EXHAUST		1/4	1/2	3/4	1
7	'B' REL. VALVE EXHAUST		1/4	1/2	3/4	1
8	G.P. REL. VALVE EXHAUST		1/4	1/2	3/4	1
9	GEAR PUMP PRESSURE		1/4	1/2	3/4	1
10	'A' CORE TO CONTROL CONN.		1/4	1/2	3/4	1
11	'A' SIDE CONTROL CONN.		1/4	1/2	3/4	1
12	G.P. REL. VALVE EXHAUST		1/4	1/2	3/4	1
13	GEAR PUMP PRESSURE		1/4	1/2	3/4	1
14	'A' SIDE CONTROL CONN.		1/4	1/2	3/4	1
15	'A' SIDE CONTROL EXH.		1/4	1/2	3/4	1
16	'A' CORE SIZE		1/4	1/2	3/4	1
17	'B' CORE SIZE		1/4	1/2	3/4	1
18	'B' CORE CONNECTION		1/4	1/2	3/4	1
19	'A' CORE CONNECTION		1/4	1/2	3/4	1
20	'A' REL. VALVE CROSS CONN.		1/4	1/2	3/4	1
21	'B' REL. VALVE CROSS CONN.		1/4	1/2	3/4	1
22	STANDARD SUPERCHARGE		1/4	1/2	3/4	1
24	GEAR PUMP CONNECT.		1/4	1/2	3/4	1
25	AUXILIARY CONNECT.		1/4	1/2	3/4	1
26	AUXILIARY CONNECT.		1/4	1/2	3/4	1
27	GEAR PUMP PRESSURE		1/4	1/2	3/4	1
28	'B' SIDE CONTROL EXH.		1/4	1/2	3/4	1
29	OIL FILTER DRAIN		1/4	1/2	3/4	1
30	GAGE CONNECTION		1/4	1/2	3/4	1
35	PRESSURE CONNECTION		1/4	1/2	3/4	1
50	G.P.R.V. EXHAUST		1/4	1/2	3/4	1
51	ACCESS PORT TO PORT 50		1/4	1/2	3/4	1

* BLANK FLANGE UNLESS OTHERWISE SPECIFIED
SPECIAL