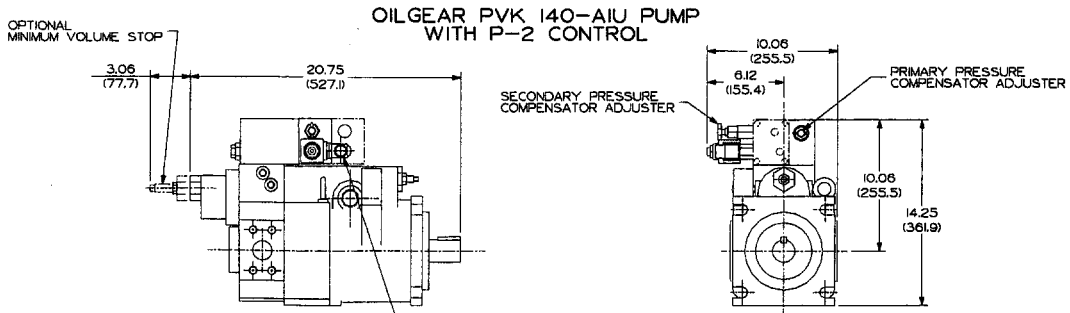


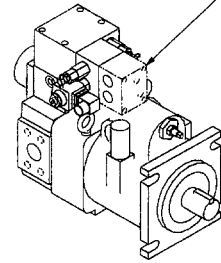
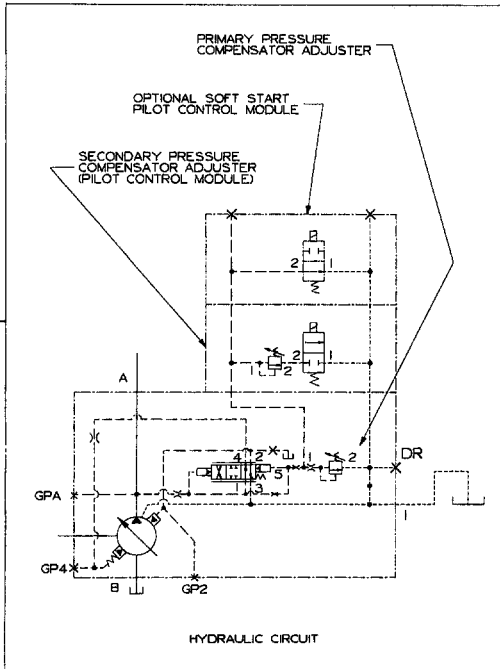


Installation Drawing Multiple Pressure Compensator Control



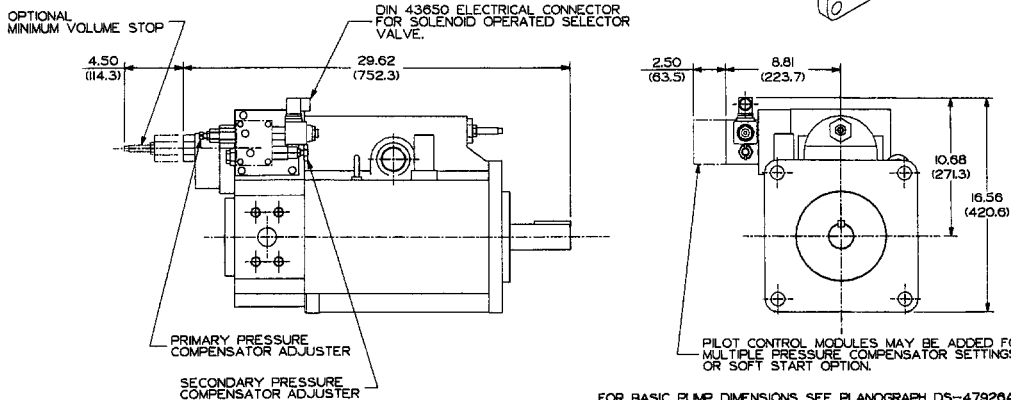
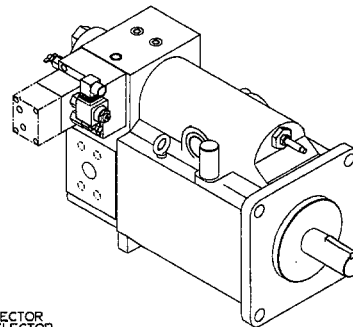
DIN 43650 ELECTRICAL CONNECTOR FOR SOLENOID OPERATED SELECTOR VALVE.

PILOT CONTROL MODULES MAY BE ADDED FOR MULTIPLE PRESSURE COMPENSATOR SETTING OR SOFT START OPTION.



FOR BASIC PUMP DIMENSIONS SEE PLANOGRAPH DS-47926A SH 1 OF 2 DRAWING 515618-001

OILGEAR PVK 270-BIU/370-BIU PUMP WITH P-2 CONTROL



FOR BASIC PUMP DIMENSIONS SEE PLANOGRAPH DS-47926A SH 2 OF 2 DRAWING 515618-002

515618-009