

# PFK & PVK 140, 270/370



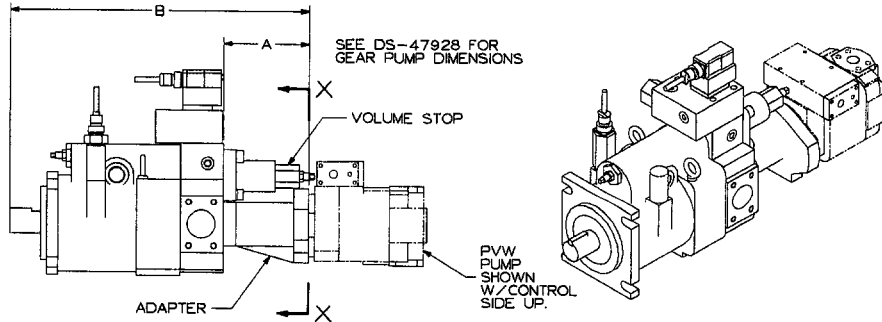
### Installation Drawing Dual Pump Adapters

NOTE # 1.  
THERE ARE LONG AND SHORT PUMP MOUNTING ADAPTERS. THE SHORT ADAPTER IS LIMITED IN USE DUE TO THE VOLUME STOP LOCATED ON THE BACK OF SOME PVK PUMP UNITS. SEE CHART FOR REAR PUMP MOUNTING ORIENTATION AND APPROPRIATE ADAPTER.

NOTE # 3.  
COUPLING FOR SAE J4986 SPLINED DRIVESHAFT IS SUPPLIED WITH ADAPTER.

NOTE # 2.  
ALL PFK PUMPS CAN UTILIZE SHORT ADAPTERS. (ADAPTER CAN BE ROTATED IN 90° INCREMENTS).

NOTE # 4.  
O-RINGS ARE SUPPLIED WITH ADAPTERS.

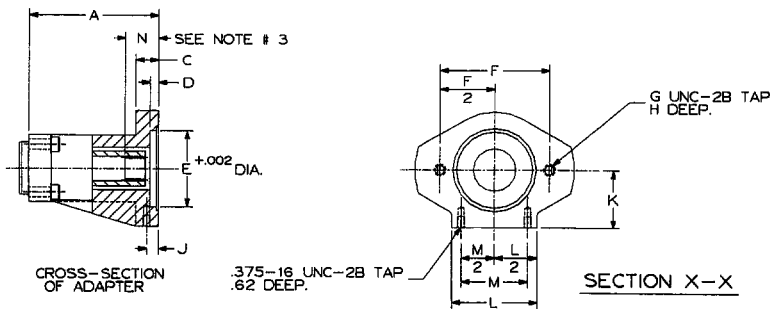


- SELECTION CHART -  
PVK 140 DUAL PUMP ADAPTER SHOWING CONTROL TYPE AND ORIENTATION.

REAR PUMP ORIENTATION	P CONTROL W/O VOLUME STOP	P CONTROL WITH VOLUME STOP	V-CONTROL W/O VOLUME STOP	V-CONTROL WITH VOLUME STOP	HORSE POWER LIMITING CONT. (P/H)	E CONTROL
OILGEAR PVW'S (CONTROL SIDE UP)	SHORT	LONG	LONG	LONG	LONG	LONG
OILGEAR PVW'S (CONTROL SIDE DOWN) AND /31 GEAR PUMP	SHORT	SHORT	LONG	LONG	LONG	LONG

- SELECTION CHART -  
PVK 270 & 370 DUAL PUMP ADAPTER SHOWING CONTROL TYPE AND ORIENTATION.

REAR PUMP ORIENTATION	P CONTROL W/O VOLUME STOP	P CONTROL WITH VOLUME STOP	V-CONTROL W/O VOLUME STOP	V-CONTROL WITH VOLUME STOP	HORSE POWER LIMITING CONT. (P/H)	E CONTROL
OILGEAR PVW'S (CONTROL SIDE UP)	SHORT	LONG	LONG	LONG	LONG	LONG
OILGEAR PVW'S (CONTROL SIDE DOWN) AND /31 GEAR PUMP	SHORT	SHORT	SHORT	SHORT	SHORT	SHORT



ADAPTER DIMENSIONS	CODE	PUMP (2) BOLT MTG.	A	B	C	D	E	F	G	H	J	K	L	M	N	
PVK & PFK 140	SHORT	AS	SAE A	4.00	21.00	1.00	.31	3.251	4.188	.375-16	.62	-	-	-	1.31	
		BS	SAE B	4.00	21.00	1.00	.44	4.002	5.750	.500-13	.81	-	-	-	1.75	
		CS	SAE C	4.00	21.00	1.00	.56	5.002	7.125	.625-11	.85	-	-	-	2.38	
	LONG	AL	SAE A	6.81	23.81	1.19	.31	3.251	4.188	.375-16	THRU	.62	3.06	4.50	3.500	1.31
		BL	SAE B	6.81	23.81	1.19	.44	4.002	5.750	.500-13	THRU	.62	3.06	4.50	3.500	1.75
		CL	SAE C	6.81	23.81	1.19	.56	5.002	7.125	.625-11	THRU	.62	3.06	4.50	3.500	2.38
PVK & PFK 270, 370	SHORT	AS	SAE A	2.50	19.50	1.50	.31	3.252	4.188	.375-16	.81	-	-	-	1.31	
		BS	SAE B	2.50	19.50	1.50	.44	4.002	5.750	.500-13	.81	-	-	-	1.75	
		CS	SAE C	2.50	19.50	1.50	.56	5.002	7.125	.625-11	1.06	-	-	-	2.38	
	LONG	AL	SAE A	7.50	24.50	1.25	.31	3.252	4.188	.375-16	.81	.94	3.38	3.50	2.75	1.31
		BL	SAE B	7.50	24.50	1.25	.44	4.002	5.750	.500-13	.81	.94	3.38	3.50	2.75	1.75
		CL	SAE C	7.50	24.50	1.25	.56	5.002	7.125	.625-11	1.06	.94	3.38	3.50	2.75	2.38