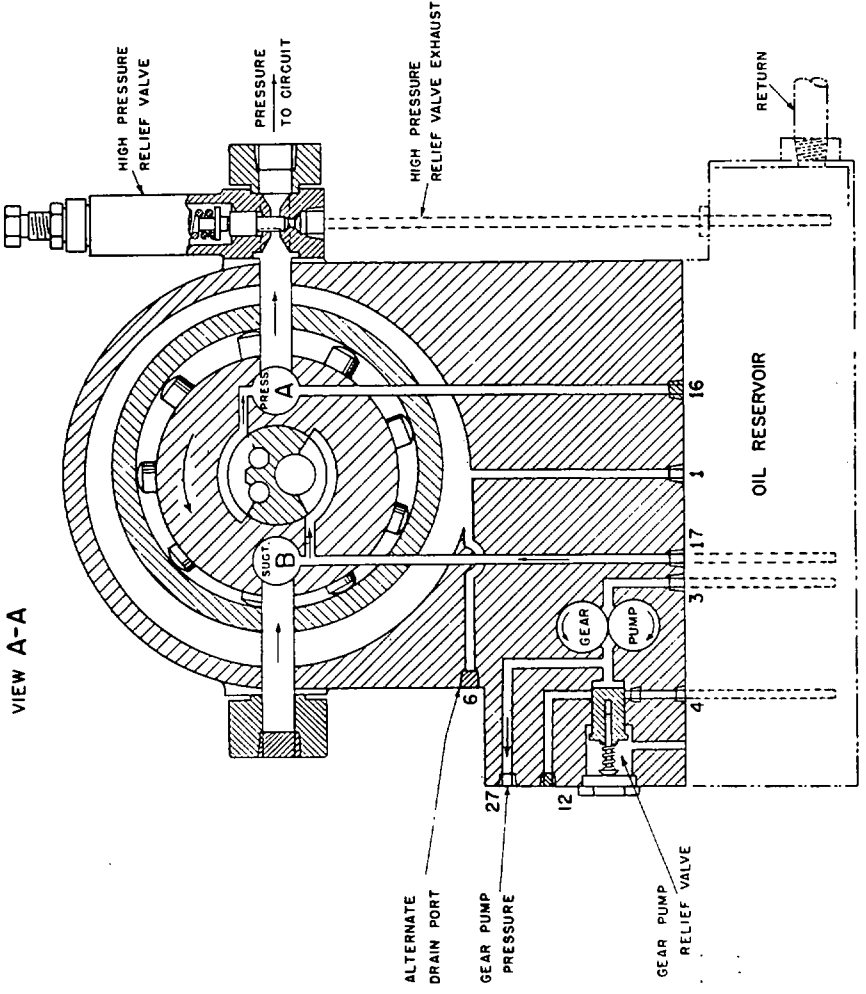
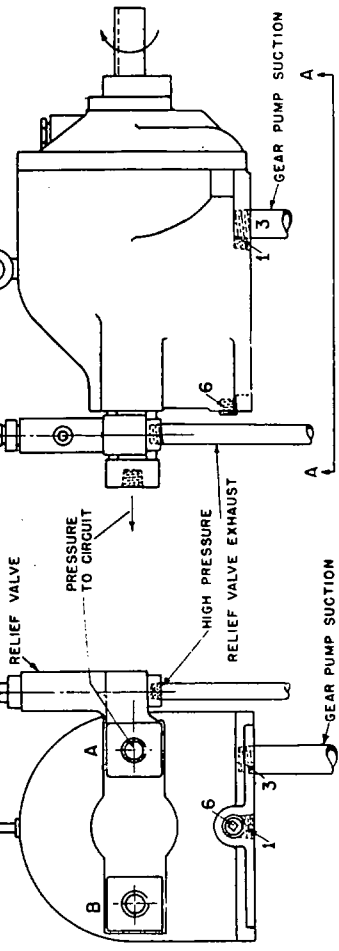


OIL CIRCUIT & PORT DIAGRAM
 TYPE 'CG' PUMP
 DR. G. M. CH. G. 7/2
 APP. 2/50
54626A



VIEW A-A



PORT DATA

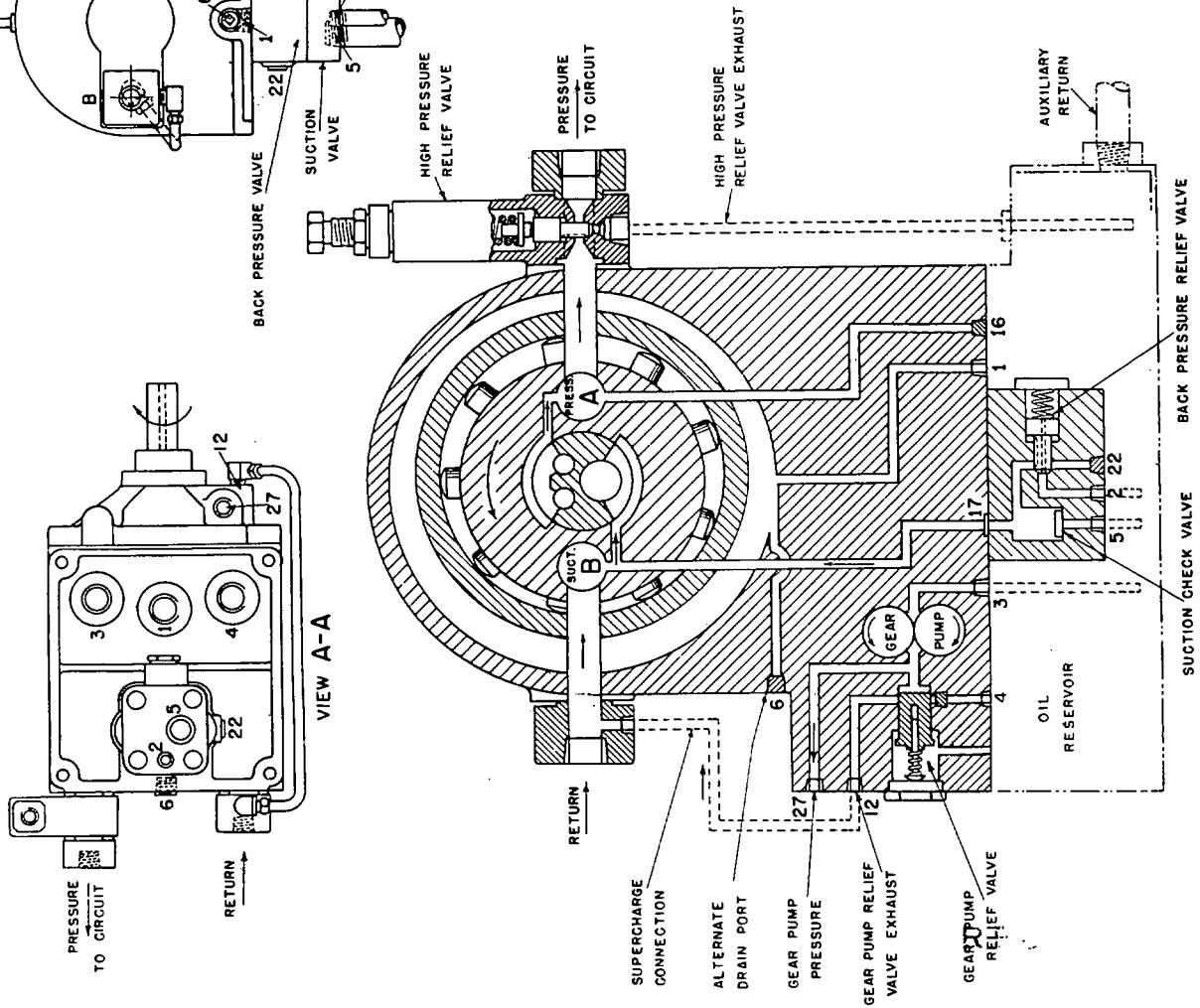
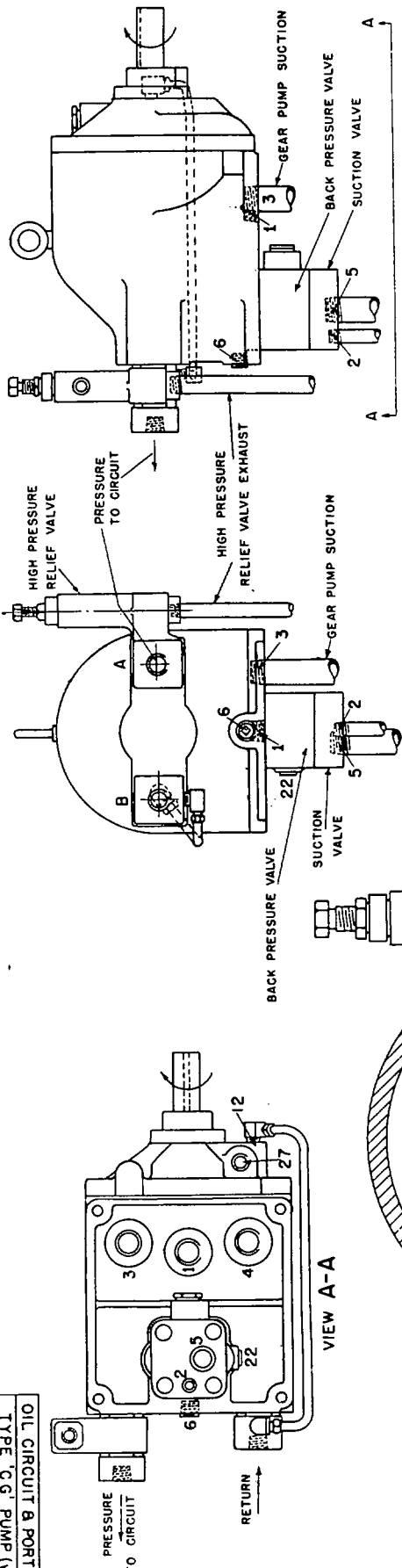
PORT NO.	PUMP SIZE	PIPE TAP SIZES
4	8	1/2
6	12	3/4
12	20	1 1/4
16	35	2 1/2
17	60	4
27	100	6
3	1/4	1/4
6	1/2	1/2
12	1	1
16	2	2
17	2	2
27	3	3
1	3/4	3/4
3	1/4	1/4
4	1/2	1/2
6	1	1
12	2	2
16	3	3
17	3	3
27	4	4

NOTE

OIL CIRCUIT SHOWS THE PUMP LOOKING FROM THE FLANGE END.
 DOTTED LINES SHOW EXTERNAL PIPE LINES.
 CORED OR DRILLED PASSAGES SHOWN THUS OPEN PORTS THUS PLUGGED PORTS THUS INSTALLATION DRAWING DS-46200-D PARTS DRAWING DS-946200-B

OILGEAR TYPE 'CG' PUMP

OIL CIRCUIT & PORT DIAGRAM
 TYPE 'GG' PUMP (WITH VALVE)
 DR. G. M. CH. G. W. APP. 2-31-54
54616-A



PORT DATA

PORT NO.	PUMP SIZE	PIPE TAP SIZES
A	HIGH PRESSURE CONN.	3/4 1 1 1/4 1 1/2 2 2 1/2 2 3/4 2 1/2
B	RETURN CONNECTION	3/4 1 1 1/4 1 1/2 2 2 1/2 2 3/4 2 1/2
1	CASE DRAIN	3/4 1 1 1/4 1 1/2 2 2
2	EXCESS RETURN EXHAUST	3/8 1/2 3/4 1/2 2 2 2
3	GEAR PUMP SUCTION	3/4 1 1 1/4 1 1/2 2 2 1/4
4	GEAR PUMP DRAIN	3/4 1 1 1/4 1 1/2 2 3 3
5	SUCT. VALVE INTAKE PORT	3/4 3/4 1 1/4 1 1/2 2 3/4 3/4 1 1/2
6	ALTERNATIVE DRAIN	1/2 1/2 1/2 1/2 3/4 3/4 3/4 3/4 3/4 3/4
12	G.P. RELIEF VALVE EXH.	3/4 3/4 1 1 1/4 1 1/2 2 2 1/2 2 3/4
16	PORT FOR 'A'	3/4 3/4 1 1 1/4 1 1/2 2 3 2 3/4 2 3/4
17	PORT FOR 'B'	3/4 3/4 1 1 1/4 1 1/2 2 3 2 3/4 2 3/4
22	SUCT. VALVE OUTLET PORT	3/8 3/8 3/8 1/2 3/4 3/4 3/4 3/4 3/4 3/4
27	GEAR PUMP PRESSURE	1/2 1/2 1/2 3/4 3/4 3/4 3/4 3/4 3/4 3/4

OILGEAR TYPE 'GG' PUMP WITH SUCTION AND BACK PRESSURE VALVE

NOTE
 OIL CIRCUIT SHOWS THE PUMP LOOKING FROM THE FLANGE END.
 DOTTED LINES --- SHOW EXTERNAL PIPE LINES.
 CORDED OR DRILLED PASSAGES SHOWN THUS OPEN PORTS THUS PLUGGED PORTS THUS PARTS DRAWING DS-94620I-B