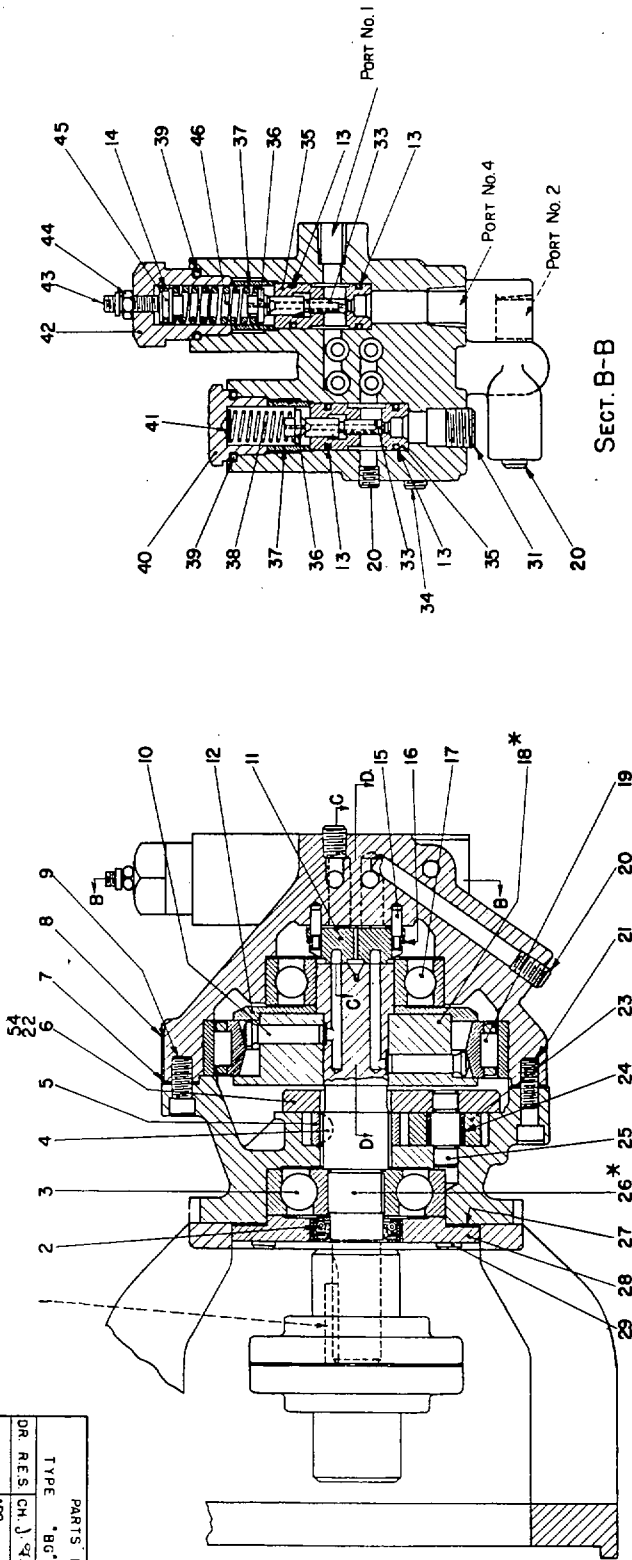


TYPE "BG" PUMPS



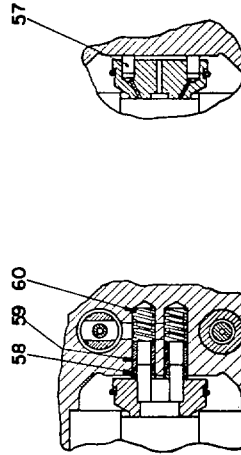
55440-A

PARTS DRAWING	
TYPE	"BG" PUMPS
DR. RES. (CH.)	APP.
55440-A	



SECT. B-B

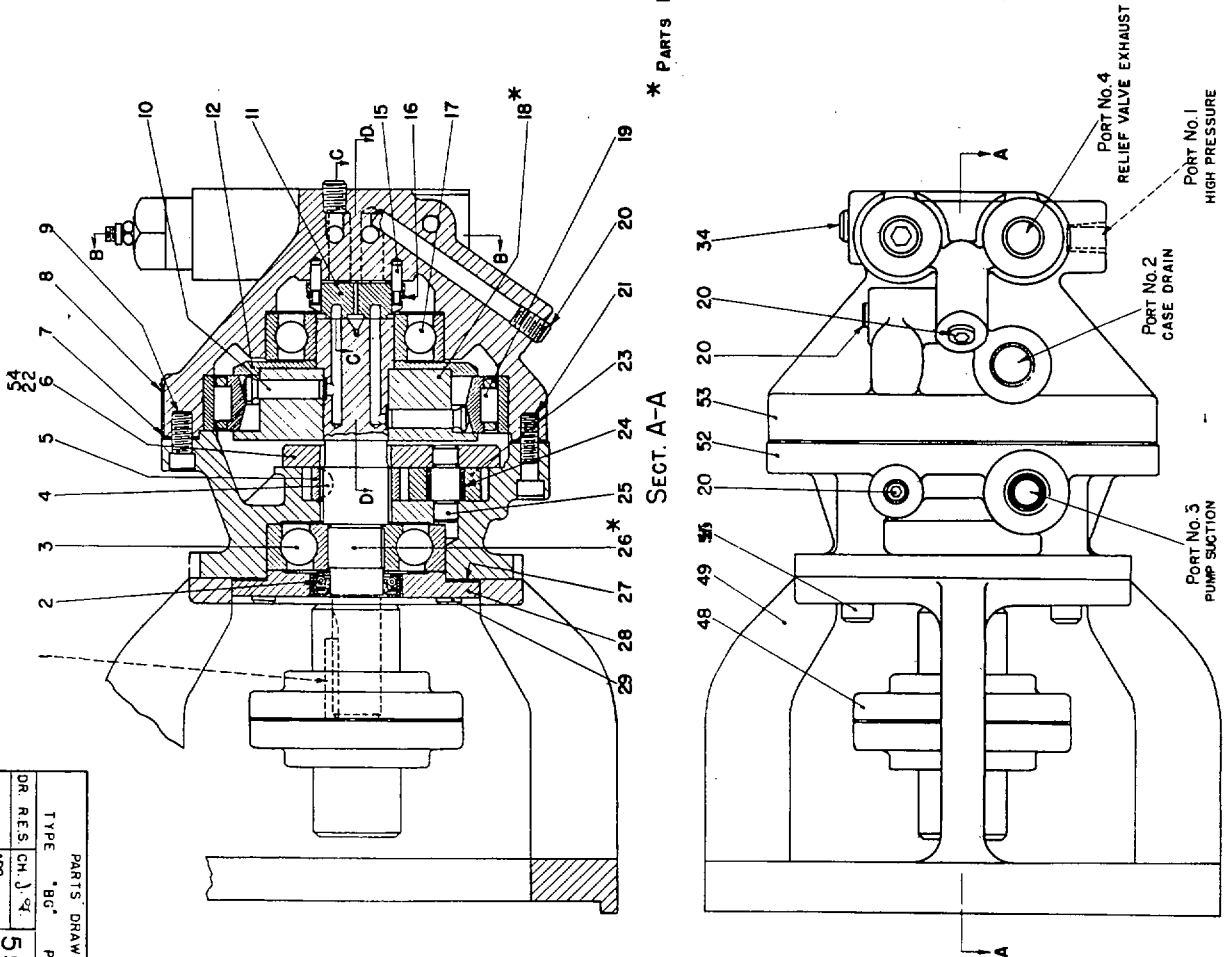
* PARTS 18 & 26 FURNISHED ONLY AS A COMPLETE ASSEMBLY.



SECT. D-D

SECT. C-C

NOTE:
 WHEN ORDERING PARTS BE SURE TO
 GIVE SERIAL NUMBER OF PUMP.
 SOME "BG" UNITS DO NOT HAVE A GEAR PUMP
 NOR A GEAR PUMP RELIEF VALVE.



SECT. A-A

THE OILGEAR COMPANY

MILWAUKEE 4,

WISCONSIN, U.S.A.

DS-946400-A

REISSUED APR. 23, 1951

PARTS LIST

OILGEAR "BG" PUMPS

NO.	PARTS	NO.	PARTS
1.	Key, Drive Shaft	31.	Plug, Pipe
2.	Oil Seal, Drive Shaft	32.	
3.	Bearing, Front Ball	33.	Plunger, Relief Valve
4.	Key, Gear Pump Drive	34.	Plug, Pipe
5.	Gear, Gear Pump	35.	Bushing, Relief Valve
6.	Cover, Gear Pump	36.	Guide, R.V. Spring
7.	Gasket, Gear Pump Housing	37.	Retainer, Bushing
8.	Nameplate, Serial Number	38.	Spring, G.P.R.V.
9.	Screw, G.P. Housing	39.	Packing, O-Ring
10.	Piston, Pump	40.	Cap, G.P.R.V.
11.	Valve, Flat	41.	Shim, G.P.R.V.
12.	Plate, Retainer	42.	Cap, H.P.R.V.
13.	Packing, O-Ring	43.	Screw, H.P.R.V. Adjusting
14.	Packing, O-Ring	44.	Nut, H.P.R.V. Lock
15.	Pin, Retainer	45.	Guide, H.P.R.V. Spring
16.	Ring, Flat Valve Snap	46.	Spring, H.P.R.V.
17.	Bearing, Rear Ball	47.	
18.	Cylinder, Pump*	48.	Coupling, Drive Shaft
19.	Bearing, Thrust	49.	Adapter, Electric Motor
20.	Plug, Pipe	50.	
21.	Screw, G.P. Housing	51.	
22.	Screw, G.P. Cover	52.	Housing, Gear Pump
23.	Gear, Gear Pump Driven	53.	Case, Pump
24.	Bearing, Driven Gear	54.	Wire, Screw Locking
25.	Shaft, Stub	55.	Screw, Adapter
26.	Shaft, Drive*	56.	
27.	Gasket, Oil Seal Gland	57.	Piston, Equalizer
28.	Gland, Oil Seal	58.	Tumbler
29.	Screw, Oil Seal Gland	59.	Piston, Back-up
30.		60.	Spring, Back-up Piston

* Parts 18 and 26 are furnished only as a complete assembly.

NOTE: When ordering parts be sure to give serial number of pump.