



DR. P. M. CH. 500804A
 PARTS DRAWING
 OILGEAR TYPE "D" SUCTION VALVES
 APR. 7. 61

PARTS LIST

- 200. BODY, SUCTION VALVE
- 201. DISC, CHECK VALVE
- 202. GASKET, HP EXHAUST
- 203. GASKET, UPPER CAGE
- 203A. GASKET, LOWER CAGE
- 204. SEAT, CHECK VALVE
- 205. CAGE, CHECK VALVE
- 206. SPRING, CHECK VALVE
- 207. CAGE, SUCT. FLANGE
- 208. GASKET, SUCT. FLANGE
- 209. DISC, SUCT. CHECK VALVE
- 210. SEAT, SUCT. CHECK VALVE
- 211. FLANGE, SUCTION
- 212. SCREW, SUCT. FLANGE
- 214. PLUNGER, B.P.R.V.
- 215. SPRING, B.P.R.V.
- 216. SHIM, B.P.R.V.
- 217. GASKET, B.P.R.V. CAP
- 218. CAP, B.P.R.V.

NOTE: WHEN ORDERING PARTS BE SURE TO INCLUDE SERIAL NUMBER STAMPED ON NAMEPLATE, DATA SHEET NUMBER AND PART NUMBER.
 FOR OTHER PARTS, SEE PUMP PARTS DRAWING.

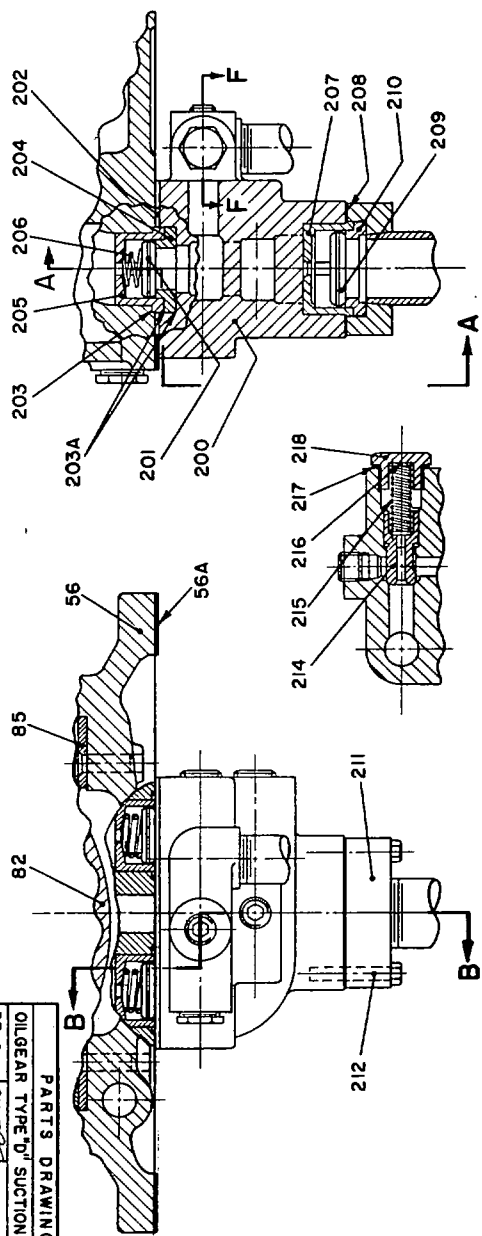


FIG. 1 "D" PUMP WITH CHECK VALVE TYPE SUCTION VALVE
 SIZES 4 THRU 150

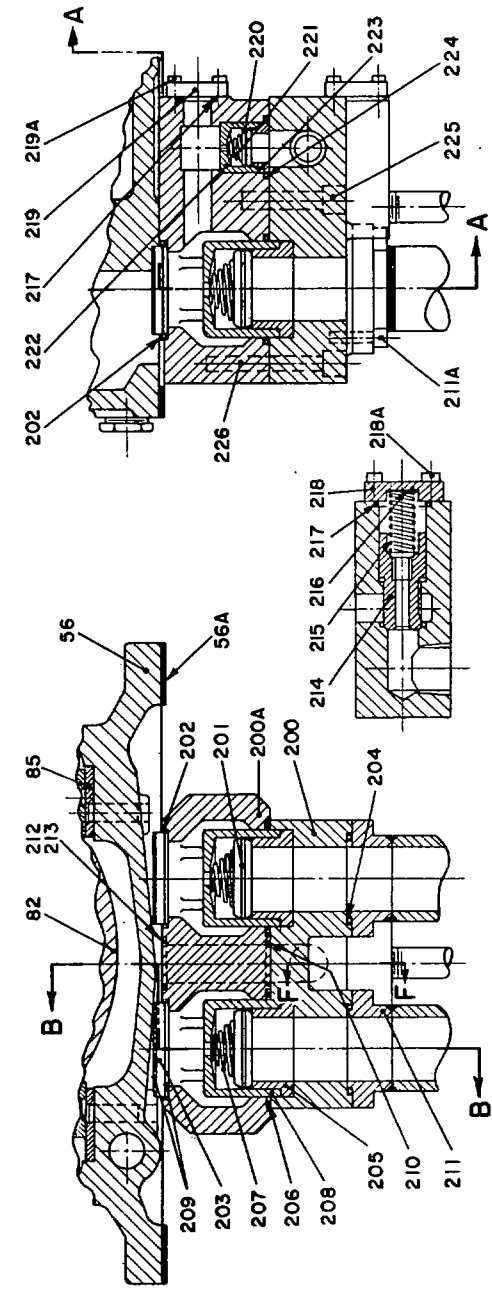


FIG. 2 "D" PUMP WITH TWIN SUCTION CHECK VALVE TYPE SUCTION VALVE
 SIZES 60 - 100 - 150

PARTS LIST

- 200. BODY, SUCTION, LOWER
- 200A. BODY, SUCTION, UPPER
- 201. DISC, LG. CHECK VALVE
- 202. PACKING, O'RING (3/16 X 3 5/8 X 4 - 90)
- 203. SPACER, VALVE BODY (5/16 X 3 X 3 3/8 - 90)
- 204. PACKING, O'RING (3/16 X 4 X 4 3/8 - 90)
- 205. SEAT, LG. CHECK VALVE
- 206. PACKING, O'RING (3/16 X 4 X 4 3/8 - 90)
- 207. SPRING, LG. CONICAL
- 208. CAGE, LG. CHECK VALVE
- 209. SHIM, SPACER
- 210. PACKING, O'RING (3/16 X 1 5/8 X 2 - 90)
- 211. FLANGE, SUCTION (1/8 X 4 3/8 X 4 5/8 - 70)
- 212. PACKING, O'RING (1/8 X 4 3/8 X 4 5/8 - 70)
- 213. PLATE, RETAINER
- 214. PLUNGER, B.P.R.V.
- 215. SPRING, B.P.R.V.
- 216. SHIM, B.P.R.V.
- 217. PACKING, O'RING (1/8 X 1 1/4 X 1 1/2 - 90)
- 218. COVER, B.P.R.V.
- 218A. SCREW, SOCK. HD. CAP
- 219. COVER, CORE
- 219A. SCREW, SOCK. HD. CAP
- 220. DISC, SM. CHECK VALVE
- 221. SPRING, SM. CONICAL
- 222. CAGE, SM. CHECK VALVE
- 223. SEAT, SM. CHECK VALVE
- 224. PACKING, O'RING (3/16 X 2 1/8 X 2 1/2 - 90)
- 225. SCREW, SOCK. HD. CAP
- 226. SCREW, SOCK. HD. CAP

O'RING SIZES CROSS SECTION X I.D. X O.D. - DURO. ± 5