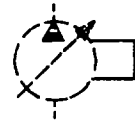
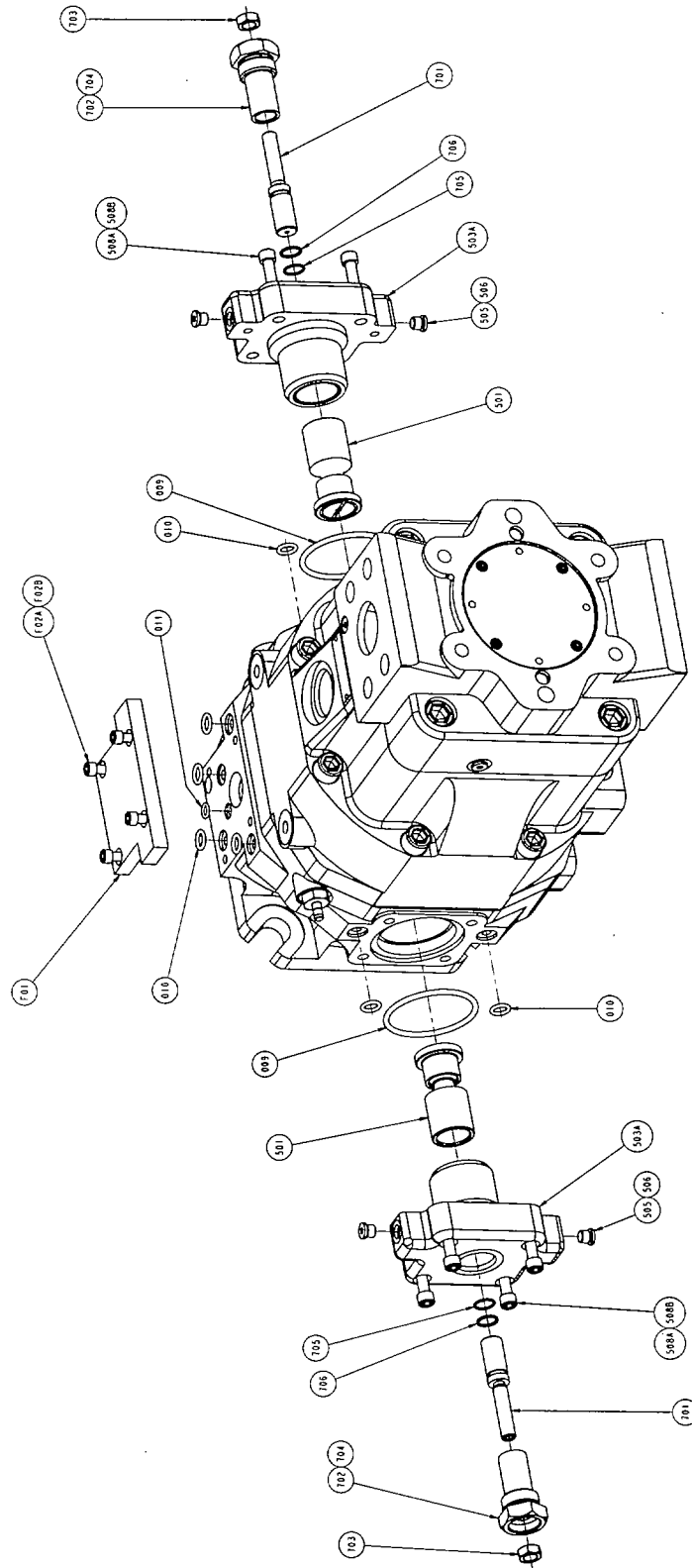


### "F" CONTROL



Parts Drawing

Fixed (Screw Adjustable) Control



518719 sht. 2

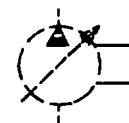


**PUMP, VARIABLE DELIVERY  
PVV-200 & 250**

**MAINTENANCE**

**2**

**"F" CONTROL**



**Parts List Fixed (Screw Adjustable) Control**

Parts used in this assembly are per Oilgear specifications. Use Oilgear parts to ensure compatability with assembly requirements. When ordering replacement parts, be sure to include pump type designation, serial number, Data Sheet (DS-) number and item number. To assure seal and packing compatibility, specify type of hydraulic fluid used.

ITEM NO.	DESCRIPTION
700	VOLUME STOP ASSEMBLY
701	Stop, Min./Max. Volume
702	Gland, Volume Stop
703	Nut, Lock
704	Seal, O'ring
705	Seal, O'ring
706	Ring, Back-up
"F"	FIXED CONTROL
F01	Plate, Control Cover
F02A	Screw, S.H.C. SAE
F02B	Screw, S.H.C. Metric

ITEM NO.	DESCRIPTION
009	COMMON ASSEMBLY GROUP
010	Seal, O'ring
011	Seal, O'ring
500	CONTROL HEAD ASSEMBLY
501	Assembly, Control Piston/Shoe
503A	Assembly, Control Cap/Sleeve
505	Plug, Hollow Hex.
506	Seal, O'ring
508A	Screw, Sock. Hd. Cap SAE
508B	Screw, Sock. Hd. Cap Metric

**O'RING and BACK-UP RING SIZES**  
Cross Section x O.D. Duro ±5

ITEM NO.	SIZE
009	3/16 x 3-3/8
010	1/8 x 3/4
011	3/32 x 9/16
506	904 ARP
704	916 ARP
705	1/16 x 3/4
706	016