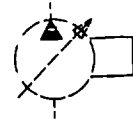


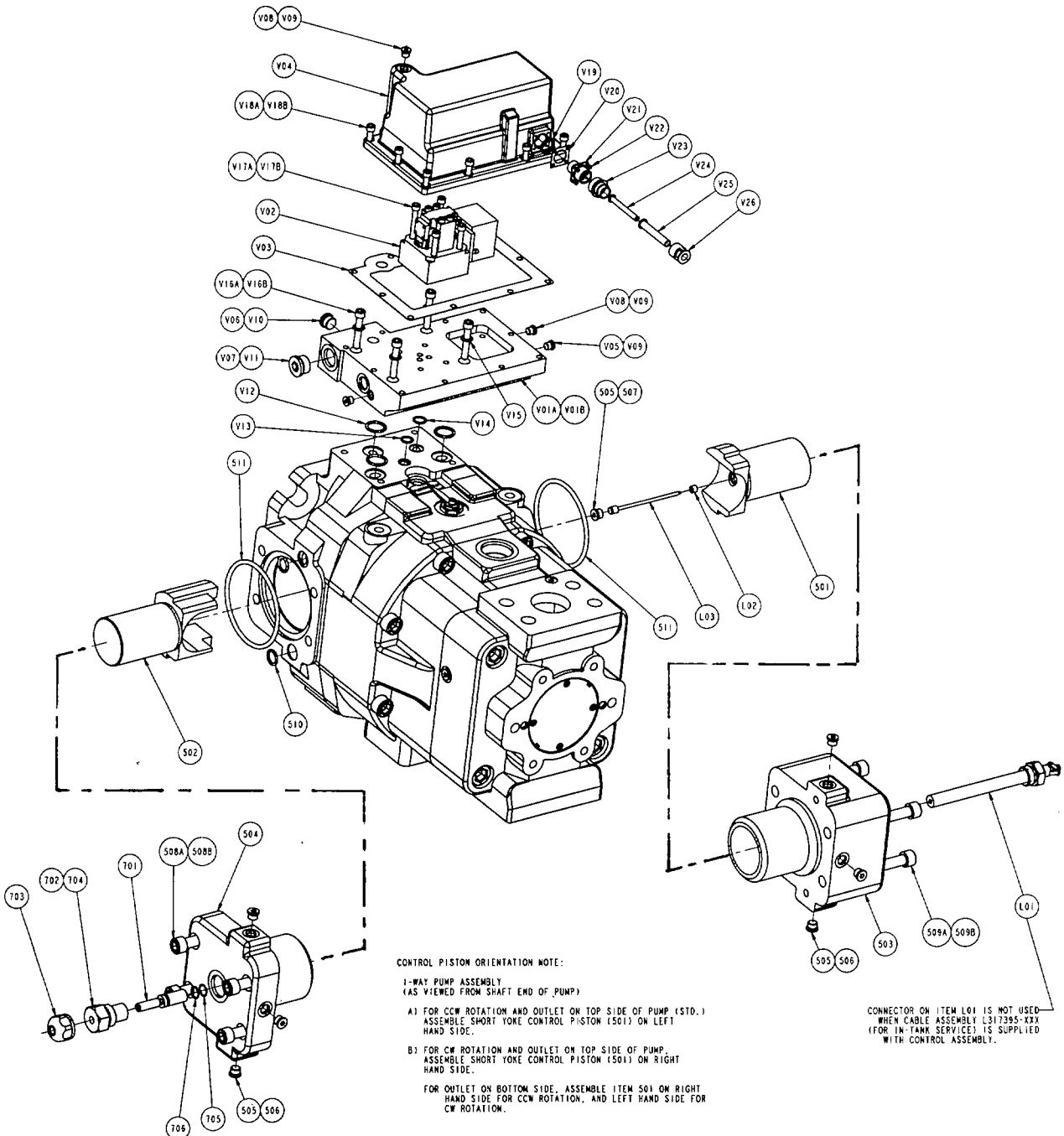
## "VV" CONTROL



### Parts Drawing

### Electrohydraulic Control, Single Stage Servo

NOTE:  
VV13 CONTROL PARTS SHOWN IN ASSY.  
VV24 CONTROL PARTS ARE SIMILAR.



**CONTROL PISTON ORIENTATION NOTE:**

1-WAY PUMP ASSEMBLY  
(AS VIEWED FROM SHAFT END OF PUMP)

A) FOR CCW ROTATION AND OUTLET ON TOP SIDE OF PUMP (STD.)  
ASSEMBLE SHORT YOKE CONTROL PISTON (501) ON LEFT  
HAND SIDE.

B) FOR CW ROTATION AND OUTLET ON TOP SIDE OF PUMP,  
ASSEMBLE SHORT YOKE CONTROL PISTON (501) ON RIGHT  
HAND SIDE.

FOR OUTLET ON BOTTOM SIDE, ASSEMBLE ITEM 501 ON RIGHT  
HAND SIDE FOR CCW ROTATION, AND LEFT HAND SIDE FOR  
CW ROTATION.

CONNECTOR ON ITEM L01 IS NOT USED  
WHEN CABLE ASSEMBLY L317395-XXX  
(FOR IN-TANK SERVICE) IS SUPPLIED  
WITH CONTROL ASSEMBLY.

516991

