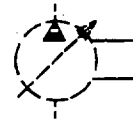


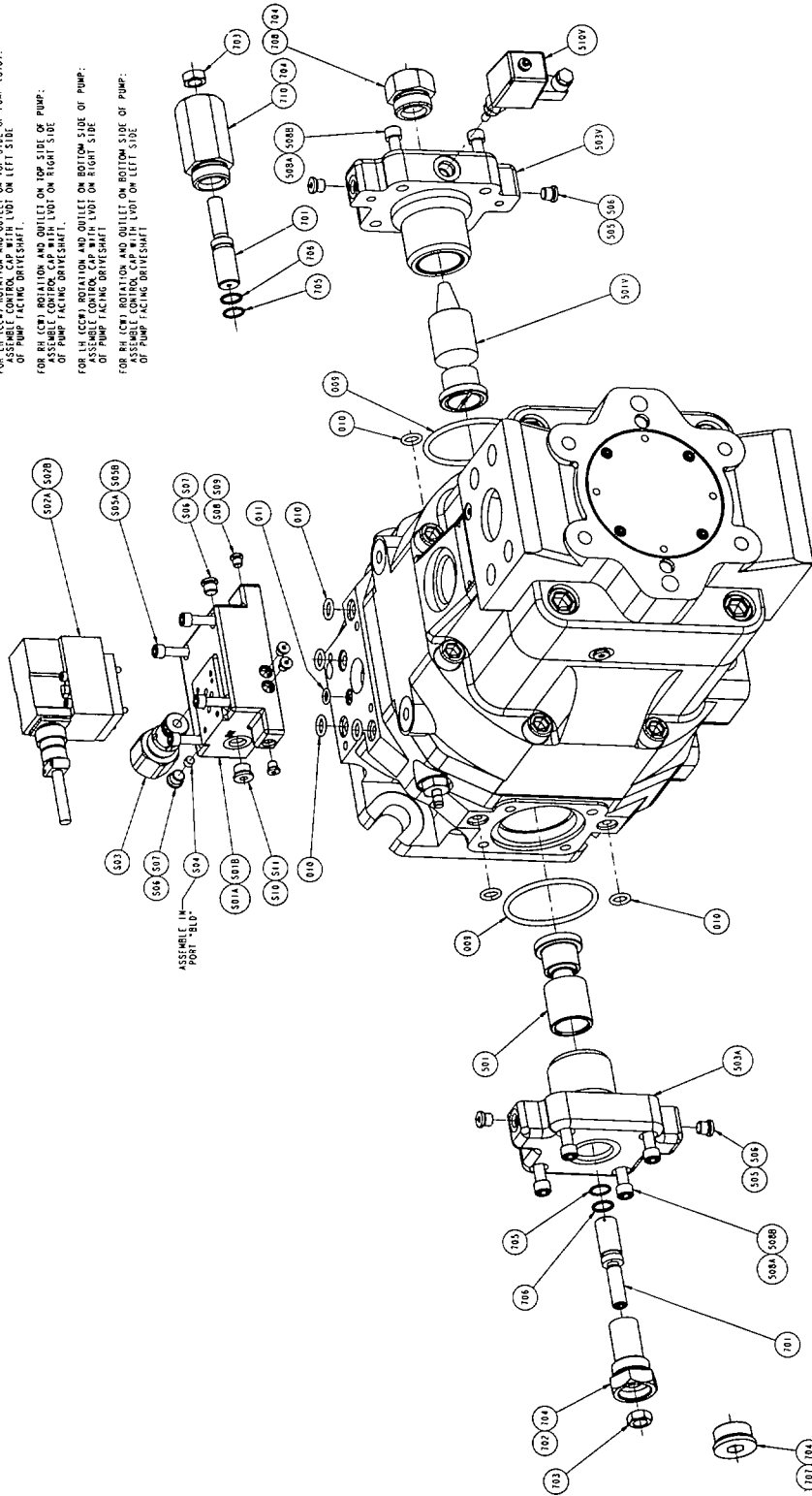
"VS" CONTROL



Parts Drawing

Electrohydraulic (w/Feedback) Integral Servo Valve

CONTROL CAP ASSEMBLY LOCATION:
 FOR LH (CCW) ROTATION AND OUTLET ON TOP SIDE OF PUMP (520):
 ASSEMBLE CONTROL CAP WITH LVO2 ON LEFT SIDE
 OF PUMP FACING DRIVESHAFT.
 FOR RH (CW) ROTATION AND OUTLET ON TOP SIDE OF PUMP:
 ASSEMBLE CONTROL CAP WITH LVO2 ON RIGHT SIDE
 OF PUMP FACING DRIVESHAFT.
 FOR LH (CCW) ROTATION AND OUTLET ON BOTTOM SIDE OF PUMP:
 ASSEMBLE CONTROL CAP WITH LVO2 ON LEFT SIDE
 OF PUMP FACING DRIVESHAFT.
 FOR RH (CW) ROTATION AND OUTLET ON BOTTOM SIDE OF PUMP:
 ASSEMBLE CONTROL CAP WITH LVO2 ON LEFT SIDE
 OF PUMP FACING DRIVESHAFT.



518069 sht. 1

