

# OILGEAR TYPE "DV" TWO-WAY VARIABLE DELIVERY PUMPS WITHOUT HYDRAULIC FORCE AMPLIFIER SIZES 100 AND 150

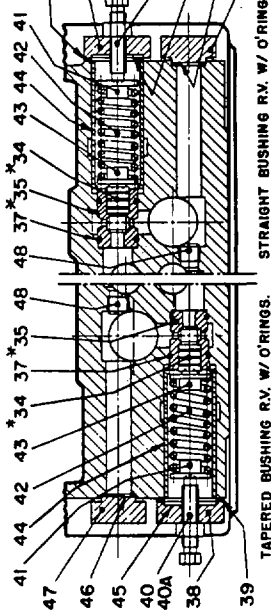
<b>977105</b>	TR.	APPL.	PARTS DRAWING
	DR. J.W. CH.	DR. J.W. CH.	OILGEAR TYPE "DV" PUMPS

2 HRS ON 11/1/66

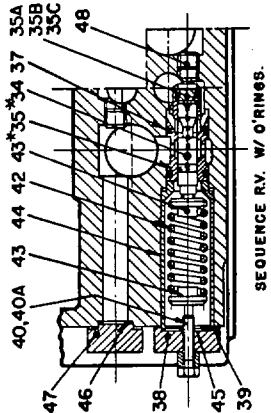
PUMP INSTALLATION DRAWING : DS-47743  
COOLER INSTALLATION DRAWING : DS-47908  
COOLER CIRCUIT DRAWING : DS-947806

NOTE: WHEN ORDERING PARTS, BE SURE TO INCLUDE SERIAL NUMBER, PART NUMBER AND DATA SHEET NUMBER. SPECIFY TYPE HYDRAULIC FLUID FOR O-RING AND SEALS.

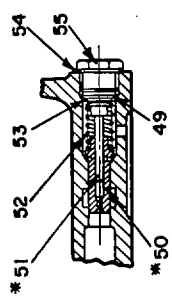
PARTS #6, 7, \*34 & \*36, \*50 & \*61 ARE ONLY FURNISHED AS A COMPLETE ASSEMBLY.  
PUMPS WITH SEQUENCE RELIEF VALVES, PARTS 34, 35, 35A, 35B AND 35C ARE ONLY FURNISHED AS A COMPLETE ASSEMBLY.



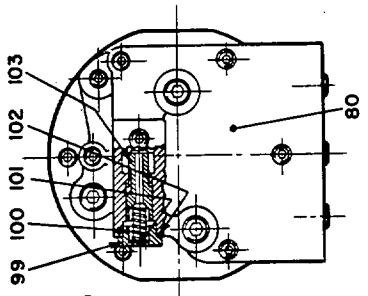
SECTION C-C  
TAPERED BUSHING R.V. W/ O-RINGS.



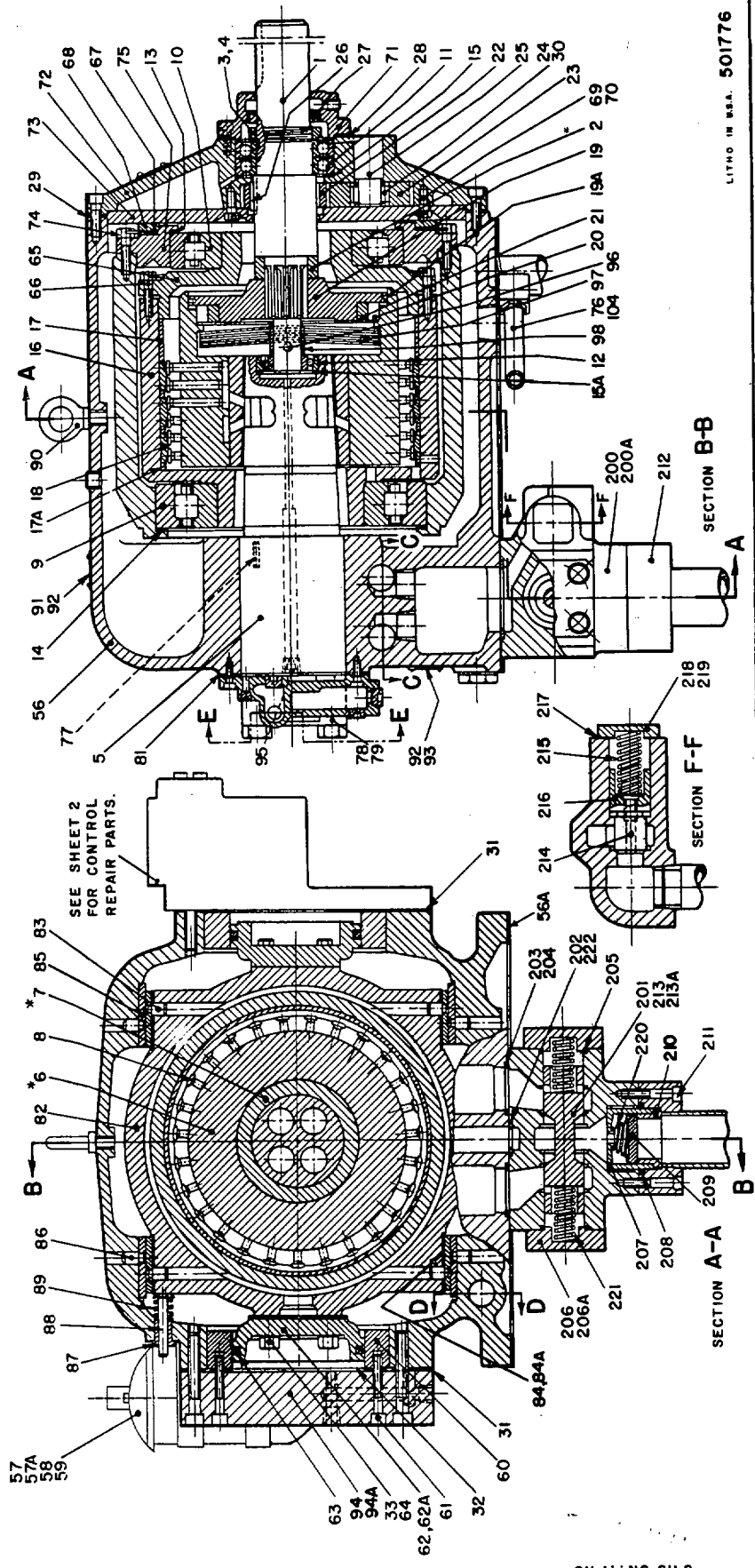
SECTION C-C  
SEQUENCE R.V. W/ O-RINGS.



SECTION D-D



SECTION E-E (ENLARGED)



LITNO IN U.S.A. 501776

ISSUED: SEPT, 1960.

**THE OILGEAR COMPANY**  
MILWAUKEE 4, WISCONSIN, U.S.A.

SH. 1: NO. SH. 2.

**DS-947743**

Repair Parts List  
Oilgear Type "DV" Variable Displacement Pumps  
Without Hydraulic Force Amplifier

Part No.	Description	Part No.	Description	Part No.	Description
1.	Shaft, Drive	43.	Guide, Spring	87.	Bushing, Indicator
2.	Spacer, Coupling	44.	Retainer, Bushing	88.	Stem, Indicator
3.	Nut, Lock	45.	Shims, Retainer	89.	Spring, Indicator
4.	Washer, Lock	46.	Gasket, Aux. Port	90.	Eye Bolt
5.	Pintle	47.	Cap, Aux. Port	91.	Plate, Name
6.	Cylinder	48.	Plug, Pipe	92.	Screw, Drive
7.	Bushing, Cylinder	49.	Spacer, G.P.R.V.	93.	Plate, Name
8.	Piston, Radial	*50.	Plunger, Dashpot	94.	Head, Control
9.	Bearing, Rear Rotor	*51.	Plunger, G.P.R.V.	94A.	Screw, Sock. Hd. Cap
10.	Bearing, Frt. Rotor	52.	Spring, G.P.R.V.	95.	Plug, Orifice
11.	Bearing, Frt. Shaft	53.	Shims, G.P.R.V.	96.	Ball, Steel
12.	Bearing, Rear Shaft	54.	Gasket, G.P.R.V. Cap	97.	Spring, Flat
13.	Shims, Frt. Rotor Brg	55.	Cap, G.P.R.V.	98.	Yoke, Flat Spring
14.	Shims, Rear Rotor Brg	56.	Case, Pump	99.	Cap, Pintle Cover R.V.
15.	Shims, Frt. Sh. Brg.	56A.	Gasket, Reservoir	100.	Spring, Relief Valve
15A.	Shims, Rear Sh. Brg.	57.	Filter, Oil	101.	Shims, Relief Valve
16.	Rotor	57A.	Element, Filter	102.	Gasket, Cap
17.	Ring, Spacer	58.	Valve, Flow Control	103.	Plunger, Relief Valve
17A.	Ring, Spacer	59.	Gage, Filter	104.	Tubing, W/Fittings
18.	Ring, Thrust	60.	Adapter, Ctrl. Piston		
19.	Flange, Coupling	61.	Screw, Adapter		
19A.	Ring, Piston	62.	Piston, Control	200.	Body, Suction Valve
20.	Roller, Coupling	62A.	Shims, Ctrl. Piston	200A.	Screw, Sock. Hd. Cap
21.	Ring, Coupling	63.	Ring, Piston	201.	Plunger, Suction Vlv.
22.	Gear, G.P. Driving	64.	Screw, Ctrl. Piston	202.	Packing, O'Ring
23.	Gear, G.P. Driven	65.	Head, Rotor	203.	Packing, O'Ring
24.	Bearing, Roller	66.	Screw, Rotor Head	204.	Retainer, O'Ring
25.	Shaft, Stub	67.	Shims, Sb. Cover	205.	Packing, O'Ring
26.	Key, Drive Shaft	68.	Ring, Sb. Spacer	206.	Flange, Plunger
27.	Seal, Oil	69.	Screw, G.P. Cover	206A.	Screw, Sock. Hd. Cap
28.	Gasket, Frt. Cover	70.	Gasket, G.P. Screw	207.	Cage, Check Valve
29.	Gasket, G.P. Hsg.	71.	Housing, Oil Seal	208.	Packing, O'Ring
30.	Spacer, Bearing	72.	Housing, Gear Pump	209.	Disc, Check Valve
31.	Gasket, Control Mtg.	73.	Cover, Gear Pump	210.	Seat, Check Valve
32.	Gasket, Ctrl. Adptr.	74.	Screw, Sb. Cover	211.	Screw, Flange
33.	Gasket, Piston Screw	75.	Cover, Sb. End	212.	Flange, Suction
*34.	Plunger, H.P.R.V.	76.	Tubing, W/Fittings	213.	Plug, Orifice
*35.	Bushing, H.P.R.V.	77.	Key, Pintle	213A.	Plug, Pipe
35A.	Plug, Bushing*	78.	Gasket, Flange	214.	Plunger, B.P.R.V.
35B.	Packing, O'Ring *	79.	Flange, Pipe	215.	Spring, B.P.R.V.
35C.	Ring, Retaining *	80.	Cover, Pintle End	216.	Shims, B.P.R.V.
37.	Packing, O'Ring	81.	Gasket, Pintle Cover	217.	Gasket, Flange
38.	Cap, H.P.R.V.	82.	Slideblock (Sb)	218.	Flange, B.P.R.V.
39.	Gasket, H.P.R.V. Cap	83.	Pin, Dowel	219.	Screw, Flange
40.	Screw, Adjusting	84.	Liner, Slideblock	220.	Spring, Check Valve
40A.	Nut, Adj. Screw Lock	84A.	Shims, Liner	221.	Spring, Plunger
41.	Guide, Spring	85.	Liner, Case	222.	Retainer, O'Ring
42.	Spring, H.P.R.V.	86.	Pin, Dowel		

Prefix \*: Part numbers 6 and 7; 34 and 35; 50 and 51 furnished only as an assembly.

Suffix \*: Part numbers 35A, 35B, and 35C furnished as an assembly with part number 35.

Applicable to pumps with "Sequence" type Relief Valves.

When ordering repair parts, be sure to include pump serial number, part number and Data Sheet (DS) number. Specify type of hydraulic fluid for O'Rings and Seals.

O'RING SIZES

Part No.	Cross Section	x	I.D.	x	O.D.	x	Duro $\pm$ 5
37	1/8	x	1-5/8	x	1-7/8	x	70
202	1/8	x	4-1/8	x	4-3/8	x	90
203	3/16	x	3-1/4	x	3-5/8	x	90
205	1/8	x	2-3/4	x	3	x	90
208	3/16	x	4	x	4-3/8	x	90