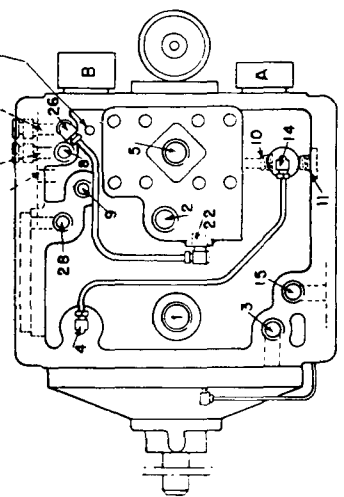
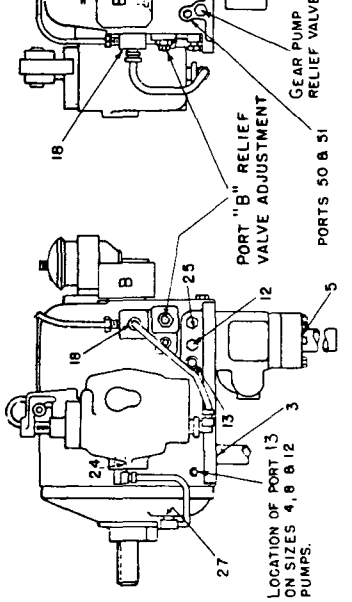
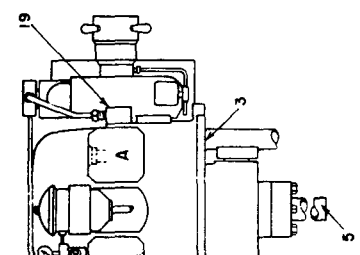
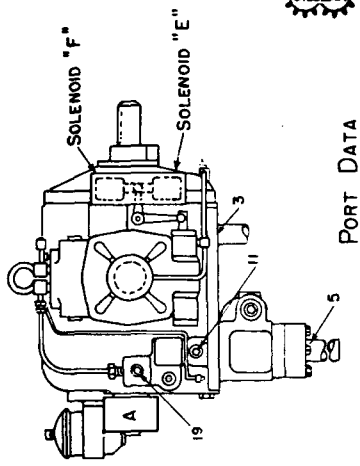


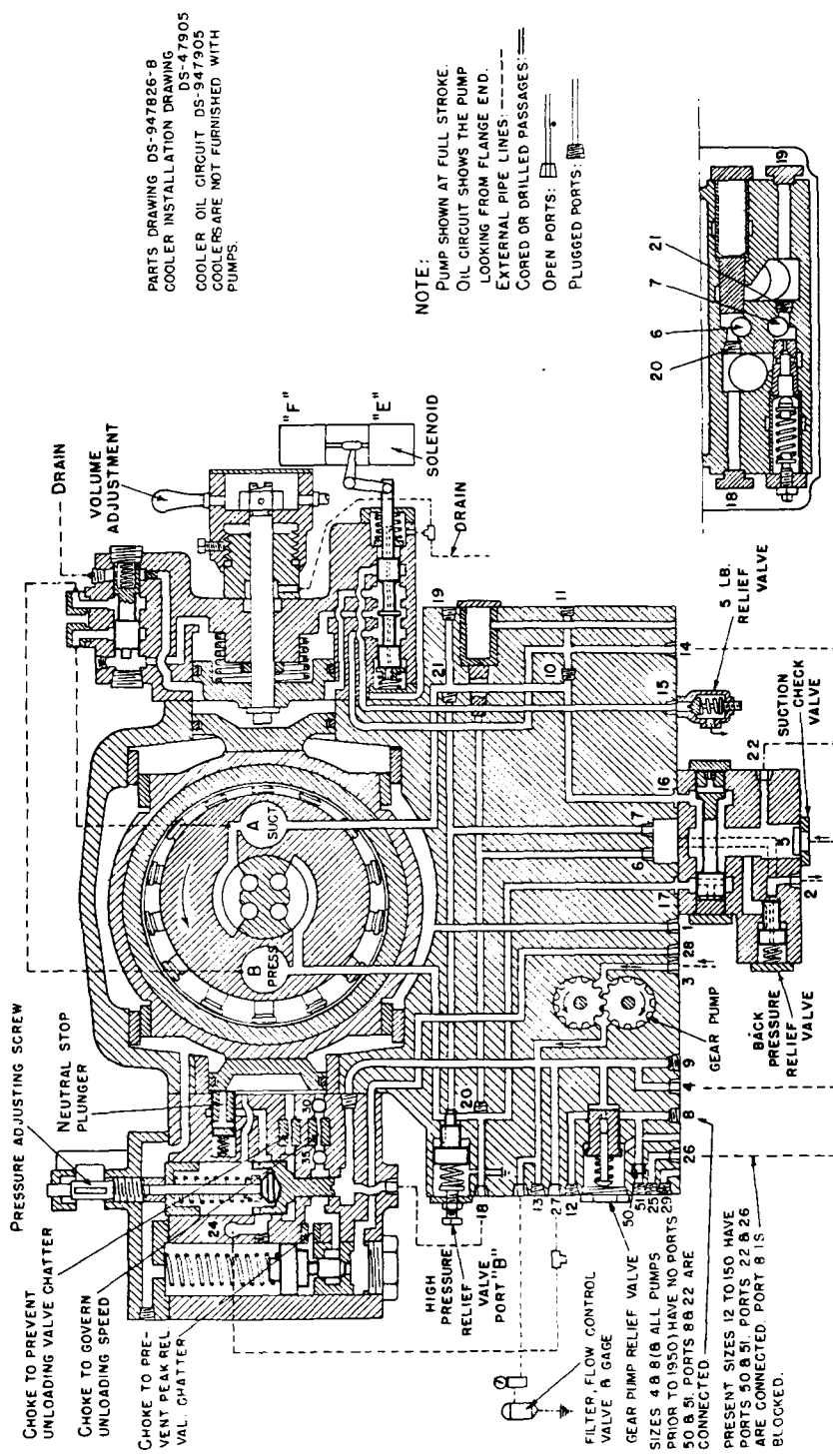
55764A  
 DR G M  
 CH  
 APP E (2)  
 OIL CIRCUIT  
 SPECIAL "DXP" PUMP

REISSUED NOV 29, 195C



**PORT DATA**

PORT NO.	PUMP SIZE	PIPE TAP SIZE
A	RETURN CONNECTION	1 1/4 1 1/2 2 2 1/2
B	HIGH PRESSURE CONNECTION	1 1/4 1 1/2 2 2 1/2
1	GASE DRAIN	1 1/4 1 1/2 2
2	EXCESS RETURN EXHAUST	3/4 1 1/2 2
3	GEAR PUMP SUCTION	1 1 1 1/4 1 1/4
4	GEAR PUMP PRESSURE	3/8 1/2 3/4
5	PUMP SUCTION	1 1/4 2 3
6	'A' REL. VALVE EXHAUST	1/4 3/4 1 1 1/4
7	'B' REL. VALVE EXHAUST	1/4 3/4 1 1 1/4
8	G.P. REL. VALVE EXHAUST	1/2 1/2 3/4 1
9	GEAR PUMP PRESSURE	1/4 1/2 3/4 1 1/4
10	'A' CORE TO CONTROL CONN.	3/8 3/4 1 1 1/4
11	'A' SIDE CONTROL CONN.	1/2 1/2 3/4 3/4
12	G.P. REL. VALVE EXHAUST	1/2 1/2 3/4 3/4
13	GEAR PUMP PRESSURE	1/2 1/2 3/4 3/4
14	'A' SIDE CONTROL CONN.	3/8 3/4 1 1 1/4
15	'A' SIDE CONTROL EXH.	1/2 3/4 1 1 1/4
16	'A' CORE SIZE	1 3/4 1 3/4 2 1/4 3
17	'B' CORE SIZE	1 3/4 1 3/4 2 1/4 3
18	'B' CORE CONNECTION	3/8 1/2 *
19	'A' CORE CONNECTION	3/8 1/2 *
20	'A' REL. VALVE CROSS CONN.	1/4 3/8 1/2 3/4
21	'B' REL. VALVE CROSS CONN.	1/4 3/8 1/2 3/4
22	STANDARD SUPERCHARGE	3/8 1/2 3/4
24	GEAR PUMP CONNECT.	1/4 1/4 3/8
25	AUXILIARY CONNECT.	1/2 1/2 3/4
26	AUXILIARY CONNECT.	1/2 1/2 3/4
27	GEAR PUMP PRESSURE	1/2 1/2 3/4
28	'B' SIDE CONTROL EXH.	1 1/4 1 1/4
29	OIL FILTER DRAIN	1 1/4 1 1/4
30	GAGE CONNECTION	1/4 3/8 1/2
35	PRESSURE CONNECTION	3/8 3/8 1/2
50	G.P.V. EXHAUST	3/8 3/8 1/2
51	ACCESS PORT TO PORT 50	1/2 1/2 3/4



PARTS DRAWING DS-947826-B  
 COOLER INSTALLATION DRAWING DS-47905  
 COOLER OIL CIRCUIT DS-947905  
 COOLERS ARE NOT FURNISHED WITH PUMPS.

NOTE:  
 PUMP SHOWN AT FULL STROKE.  
 OIL CIRCUIT SHOWS THE PUMP LOOKING FROM FLANGE END.  
 EXTERNAL PIPE LINES: --- CORED OR DRILLED PASSAGES  
 OPEN PORTS: ⊠  
 PLUGGED PORTS: ⊞

SECTION THRU HIGH PRESSURE RELIEF VALVES

SPECIAL 55764A