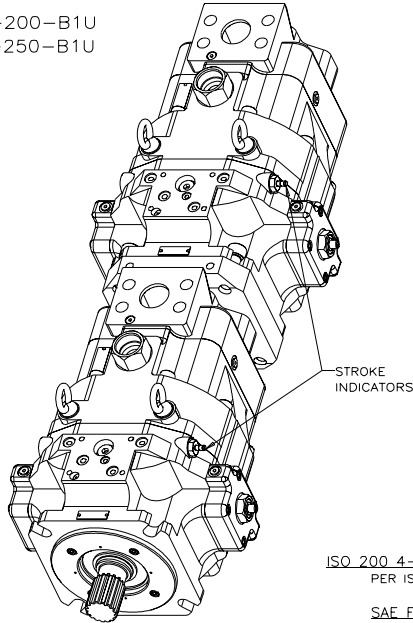


Installation Drawing

Four Bolt Mounting - ISO (without control)

PVW-200-B1U
PVV-250-B1U

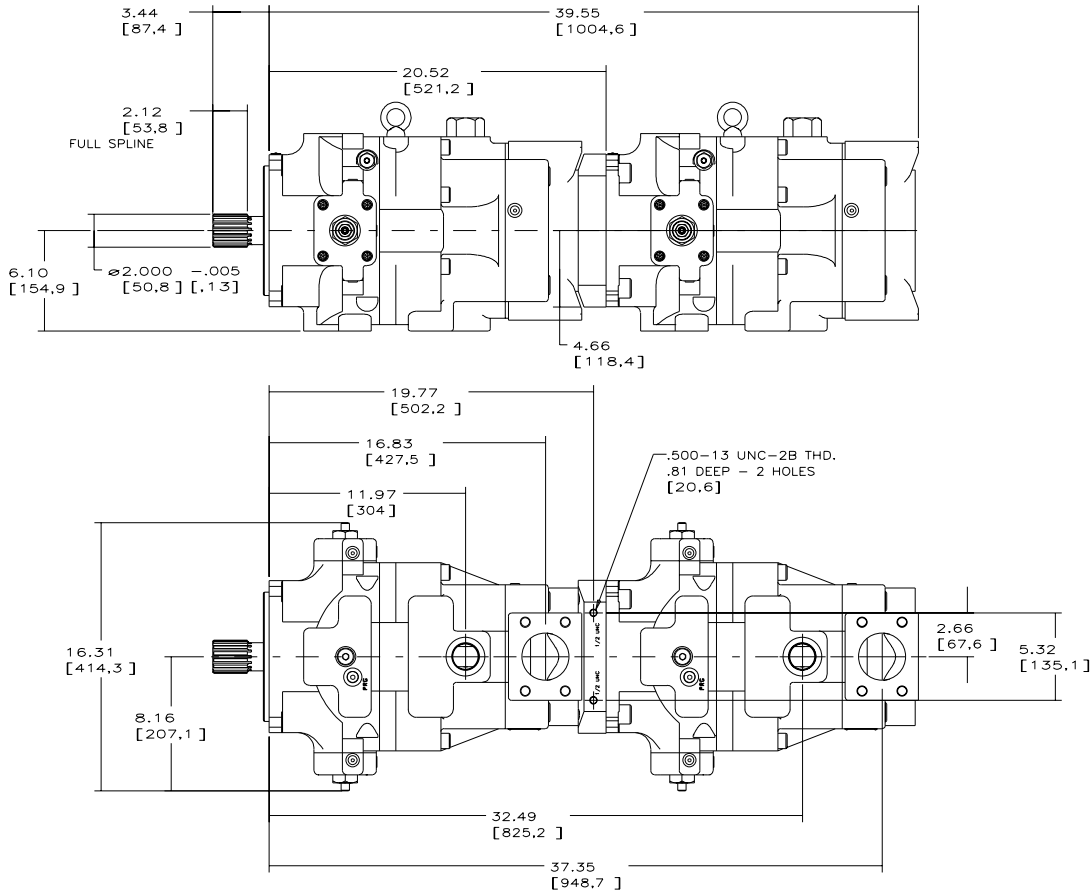


NOTES:

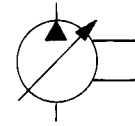
1. PUMPS DESIGNED FOR ONE-WAY SERVICE ARE DIMENSIONED AS SHOWN.
2. THESE UNITS ARE DESIGNED TO RUN CASE FULL OF FLUID AT ALL TIMES. FILL CASE BEFORE STARTING AND CONNECT DRAIN LINES ACCORDINGLY.
3. REAR PUMP MUST BE SUPPORTED IN SOME WAY. TAPPED HOLES IN BOTTOM OF ADAPTER PLATE MAY BE USED FOR THIS PURPOSE.
4. REAR PUMP MAY BE SIDE OR REAR PORTED. (SIDE PORTED SHOWN)
5. DIMENSIONS GIVEN IN INCHES/[MM].
6. NET WEIGHT -
785 LBS. [355 KG.] (WITH REAR PUMP SIDE PORTED)
760 LBS. [344 KG.] (WITH REAR PUMP REAR PORTED)
7. FOR BASIC PUMP DIMENSIONS SEE:
DS-47939

ISO 200 4-BOLT MTG. PATTERN
PER ISO 3019/2-200B4HW

SAE F SPLINED SHAFT
PER CODE 50-4



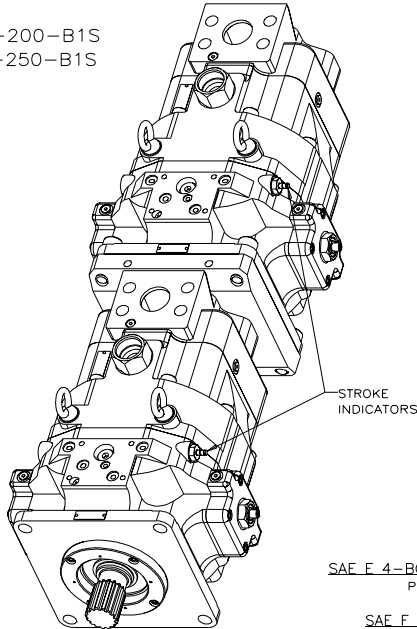
519103-007 3/1



Parts Drawing

Four Bolt Mounting - SAE (without control)

PVV-200-B1S
PVV-250-B1S



NOTES:

1. PUMPS DESIGNED FOR ONE-WAY SERVICE ARE DIMENSIONED AS SHOWN.
2. THESE UNITS ARE DESIGNED TO RUN CASE FULL OF FLUID AT ALL TIMES. FILL CASE BEFORE STARTING AND CONNECT DRAIN LINES ACCORDINGLY.
3. REAR PUMP MUST BE SUPPORTED IN SOME WAY. TAPPED HOLES IN BOTTOM OF ADAPTER PLATE MAY BE USED FOR THIS PURPOSE.
4. REAR PUMP MAY BE SIDE OR REAR PORTED. (SIDE PORTED SHOWN)
5. DIMENSIONS GIVEN IN INCHES/[MM].
6. NET WEIGHT -
800 LBS. [362 KG.] (WITH REAR PUMP SIDE PORTED)
775 LBS. [351 KG.] (WITH REAR PUMP REAR PORTED)
7. FOR BASIC PUMP DIMENSIONS SEE: DS-47939

SAE F 4-BOLT MTG. PATTERN
PER CODE 165-4

SAE F SPLINED SHAFT
PER CODE 50-4

