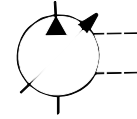




PUMP, VARIABLE DELIVERY PVWJ 076, 098 & 130 WITHOUT CONTROLS

ENGINEERING

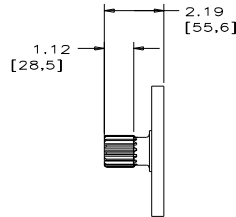
1



Installation

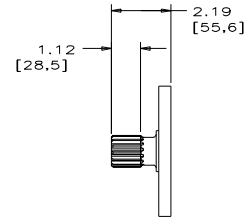
Basic Pump Without Control - Side Ported

OPTIONAL SAE "C"
SPLINE SHAFT
CODE "S"

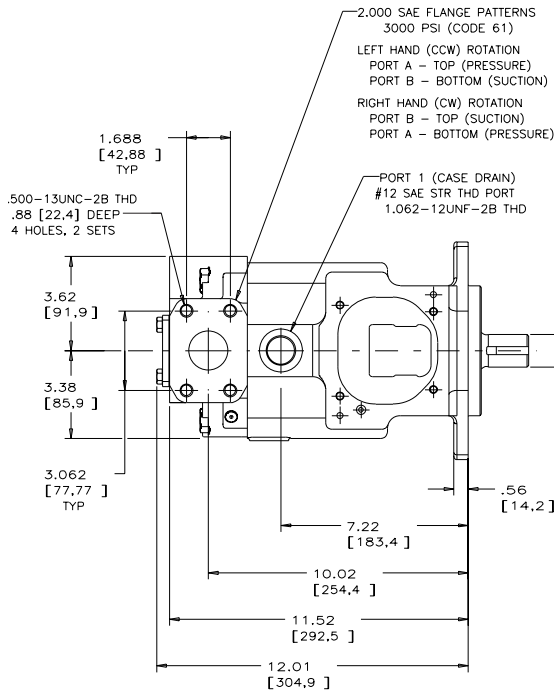


VIEW SHOWING OPTIONAL SPLINE SHAFT
SAE INVOLUTE SPLINE 14 TEETH, 12/24 PITCH
1.235 [31,37] MAJOR DIA.

OPTIONAL SAE "C"
SPLINE SHAFT
CODE "D"

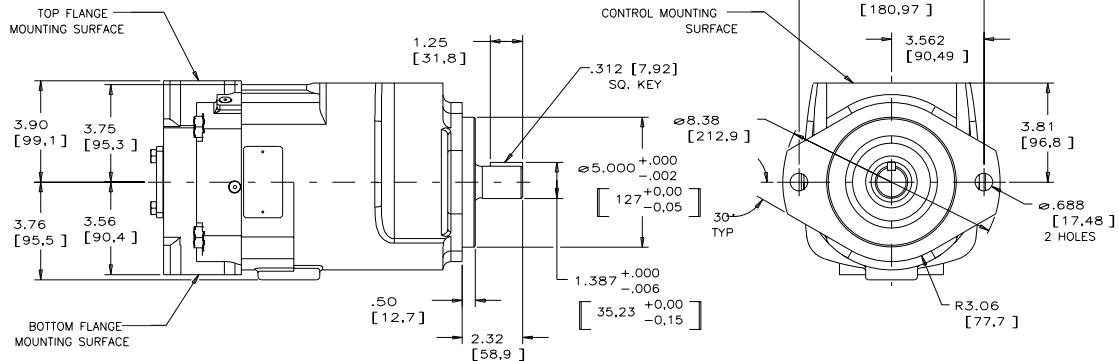


VIEW SHOWING OPTIONAL SPLINE SHAFT
SAE INVOLUTE SPLINE 14 TEETH, 12/24 PITCH
1.250 [31,75] MAJOR DIA.
(INDUSTRIAL VERSION)



NOTES:

- 1) PUMPS ARE DESIGNED FOR ONE-WAY SERVICE.
- 2) THESE UNITS ARE DESIGNED TO RUN CASE FULL OF FLUID AT ALL TIMES. FILL CASE BEFORE STARTING AND CONNECT DRAIN LINES ACCORDINGLY.
- 3) NUMERICAL DIMENSIONS GIVEN IN INCHES/[MM].
- 4) NET WEIGHT - 83 LBS. [37,65 KG].



520034-304

Telephone: (414) 327-1700
Fax: (414) 327-0532

OILGEAR
2300 So. 51st. Street
Milwaukee, WI USA 53219

Issued: Oct, 2006
DS-47489