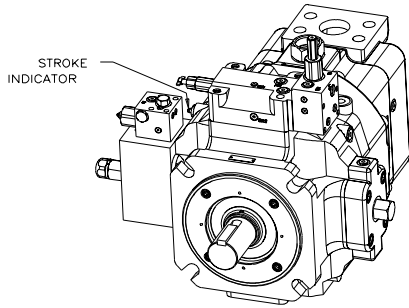
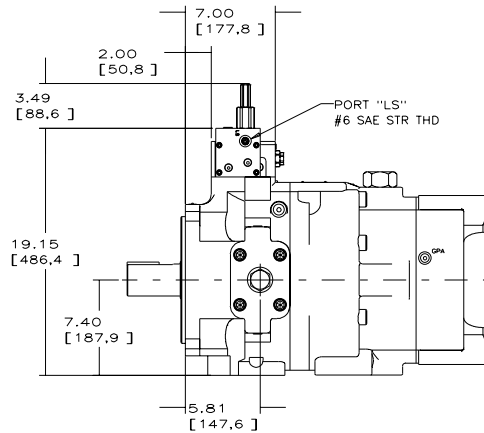
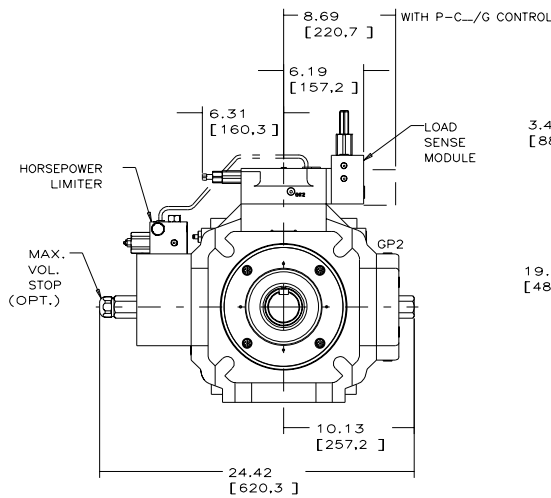


### Installation Drawing Single Pressure or Soft Start w/H.P. Limit & Load Sense Control

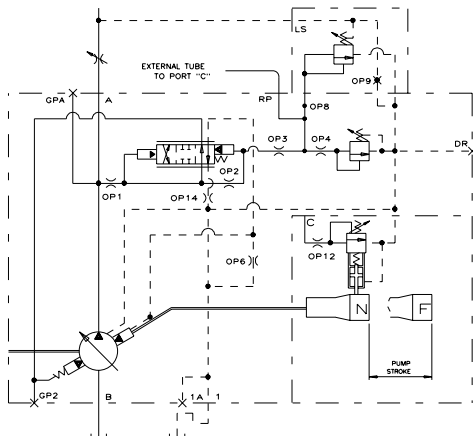
PVV-540-BIU PUMP  
WITH P-1NN/G CONTROL (SHOWN)  
AND P-C-/G CONTROL


**NOTES:**

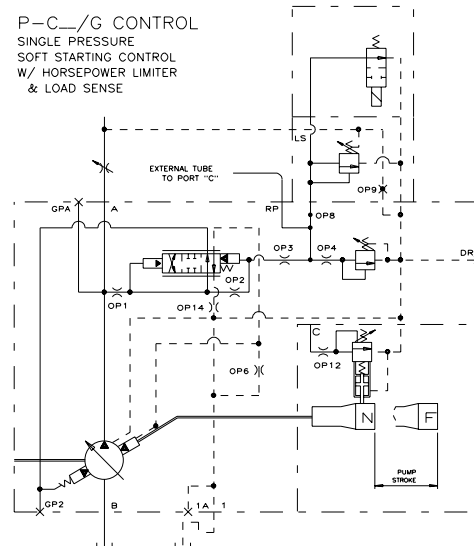
1. PUMPS DESIGNED FOR ONE-WAY SERVICE ARE DIMENSIONED AS SHOWN.
2. THESE UNITS ARE DESIGNED TO RUN CASE FULL OF FLUID AT ALL TIMES. FILL CASE BEFORE STARTING AND CONNECT DRAIN LINES ACCORDINGLY.
3. NUMERICAL DIMENSIONS ARE GIVEN IN INCHES/[MM].
4. NET WEIGHT: P-1NN/G CONTROL  
845 LBS (383 KG) SIDE PORTED (SHOWN)  
790 LBS (358 KG) REAR PORTED  
P-C-/G CONTROL  
855 LBS (388 KG) SIDE PORTED  
800 LBS (363 KG) REAR PORTED
5. FOR BASIC PUMP DIMENSIONS SEE: DS-47940A
6. LEFTHAND (CCW) VERSION IS SHOWN. FOR RIGHTHAND (CW) VERSION, THE CONTROL CAPS, VOLUME STOPS, AND STROKE INDICATOR WILL BE ON THE OPPOSITE SIDES, ASSUMING THAT THE OUTLET IS ON THE TOP.
7. FOR HP CONTROLS, "RP" ON THE CONTROL BLOCK IS CONNECTED TO "C" ON THE HP MODULE WITH AN EXTERNAL TUBE.



**P-1NN/G CONTROL**  
SINGLE PRESSURE COMPENSATOR CONTROL  
W/ HORSEPOWER LIMITER & LOAD SENSE



**P-C-/G CONTROL**  
SINGLE PRESSURE  
SOFT STARTING CONTROL  
W/ HORSEPOWER LIMITER  
& LOAD SENSE



519256-006 sh. 4