

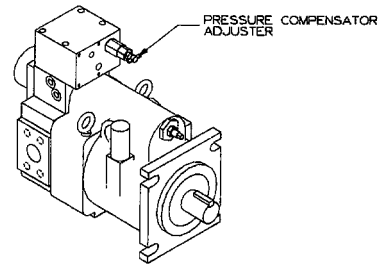
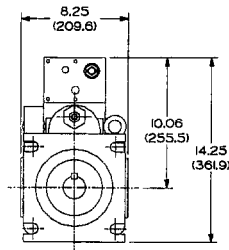
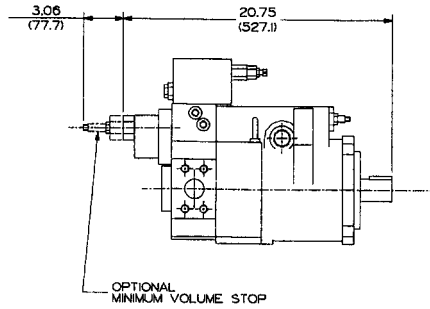
PVK 140, 270/370



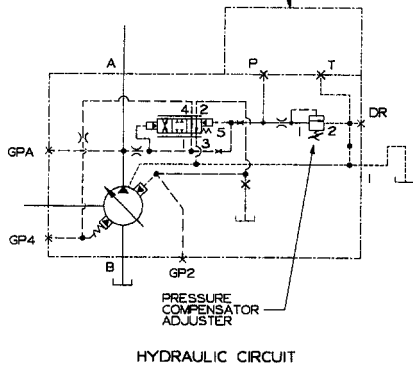
Installation Drawing

Single Pressure Compensator Control

OILGEAR PVK 140-AIU PUMP WITH P-INN CONTROL

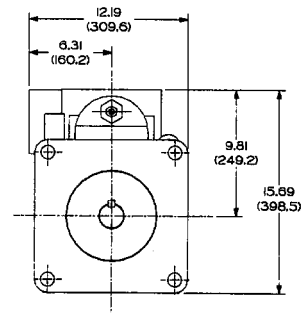
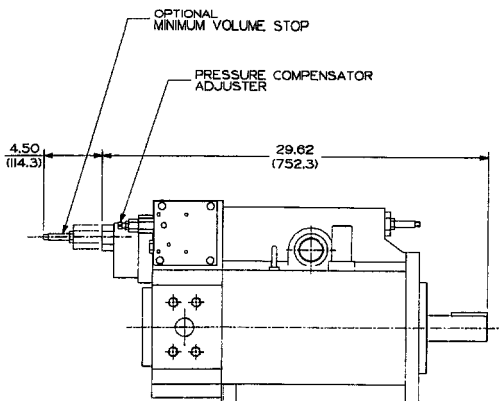
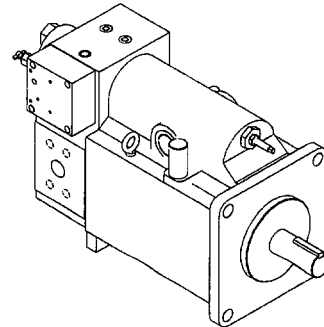


CONTROL HEAD HAS PROVISIONS FOR ADDING MULTIPLE PRESSURE COMPENSATOR ADJUSTER MODULES



FOR BASIC PUMP DIMENSIONS SEE PLANOGRAPH DS-47926A SH 1 OF 2 DRAWING 515618-001

OILGEAR PVK 270-BIU/370-BIU PUMP WITH P-INN CONTROL



FOR BASIC PUMP DIMENSIONS SEE PLANOGRAPH DS-47926A SH 2 OF 2 DRAWING 515618-002