

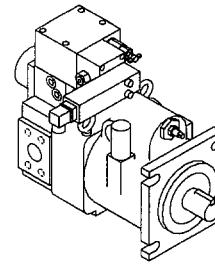
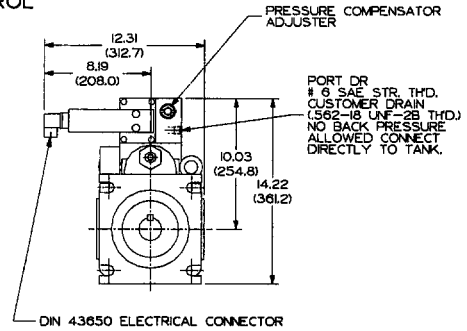
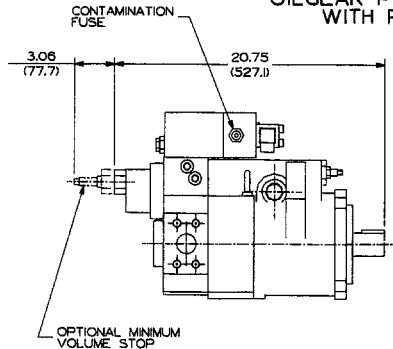
### PVK 140, 270/370



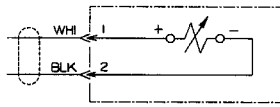
Installation Drawing

Proportional Pressure Compensator Control

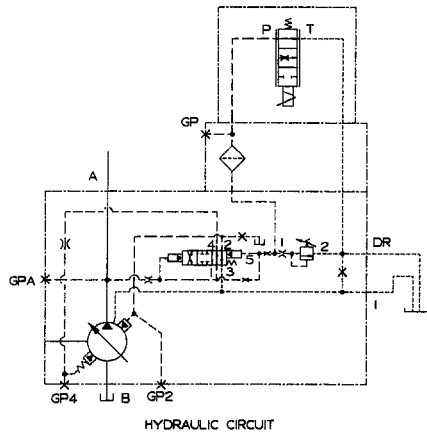
OILGEAR PVK 140-AIU PUMP WITH P-A CONTROL



FOR BASIC PUMP DIMENSIONS SEE PLANOGRAPH DS-47926A SH 1 OF 2 DRAWING 515618-001

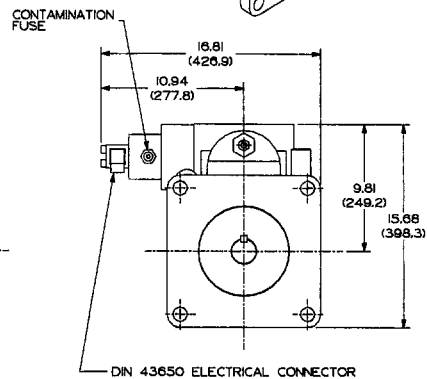
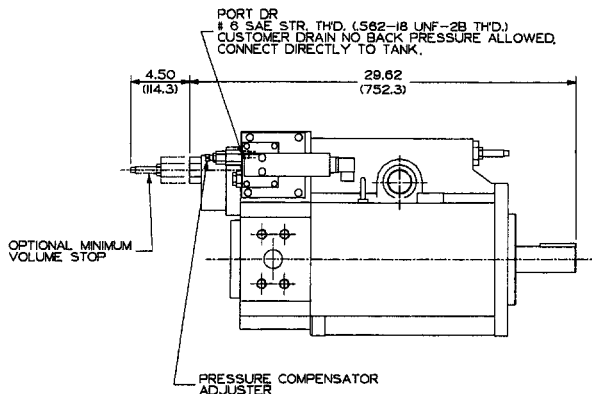
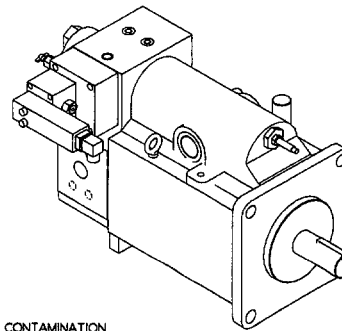


ELECTRICAL DIAGRAM



HYDRAULIC CIRCUIT

OILGEAR PVK 270-BIU/370-BIU PUMP WITH P-A CONTROL



FOR BASIC PUMP DIMENSIONS SEE PLANOGRAPH DS-47926A SH 2 OF 2 DRAWING 515618-002