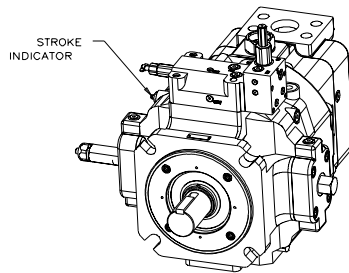


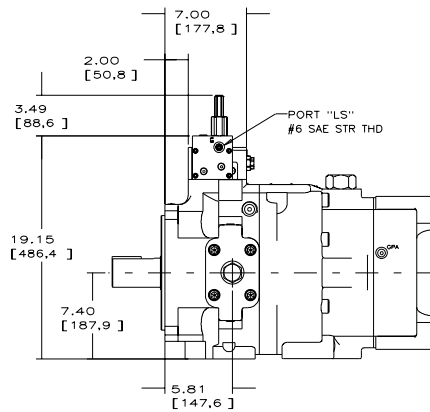
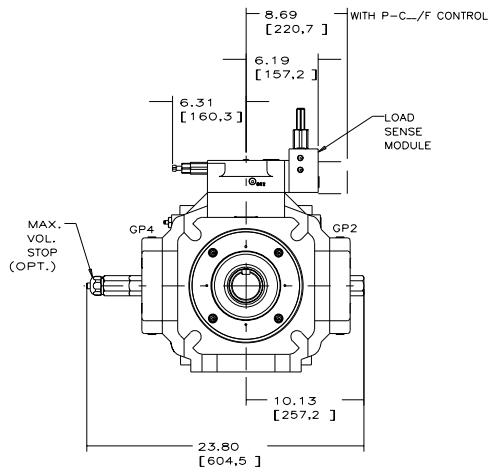
Installation Drawing Single Pressure Compensator or Soft Start Control w/Load Sense

PVV-540-BIU PUMP
WITH P-1NN/F CONTROL (SHOWN)
AND P-C-/F CONTROL

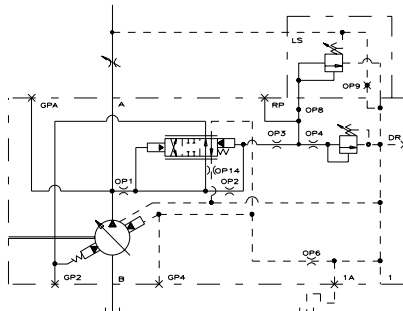


NOTES:

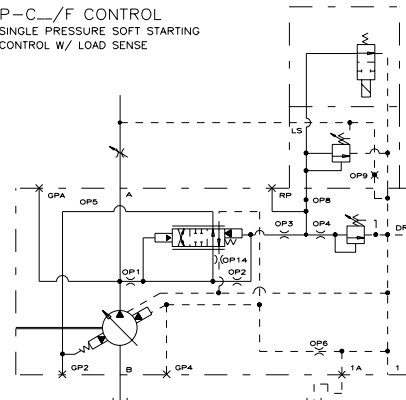
1. PUMPS DESIGNED FOR ONE-WAY SERVICE ARE DIMENSIONED AS SHOWN.
2. THESE UNITS ARE DESIGNED TO RUN CASE FULL OF FLUID AT ALL TIMES. FILL CASE BEFORE STARTING AND CONNECT DRAIN LINES ACCORDINGLY.
3. NUMERICAL DIMENSIONS ARE GIVEN IN INCHES/[MM].
4. NET WEIGHT: P-1NN/F CONTROL
820 LBS (372 KG) SIDE PORTED (SHOWN)
765 LBS (347 KG) REAR PORTED
P-C-/F CONTROL
830 LBS (377 KG) SIDE PORTED
775 LBS (352 KG) REAR PORTED
5. FOR BASIC PUMP DIMENSIONS SEE: DS-47940A
6. LEFTHAND (CCW) VERSION IS SHOWN. FOR RIGHTHAND (CW) VERSION, THE CONTROL CAPS, VOLUME STOPS, AND STROKE INDICATOR WILL BE ON THE OPPOSITE SIDES, ASSUMING THAT THE OUTLET IS ON THE TOP.



P-1NN/F CONTROL
SINGLE PRESSURE COMPENSATOR CONTROL
W/ LOAD SENSE



P-C-/F CONTROL
SINGLE PRESSURE SOFT STARTING CONTROL
W/ LOAD SENSE



519256-006 sh. 2