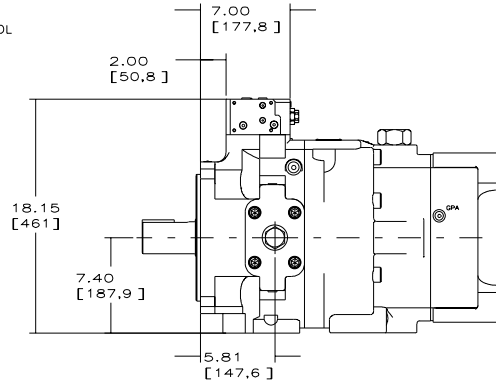
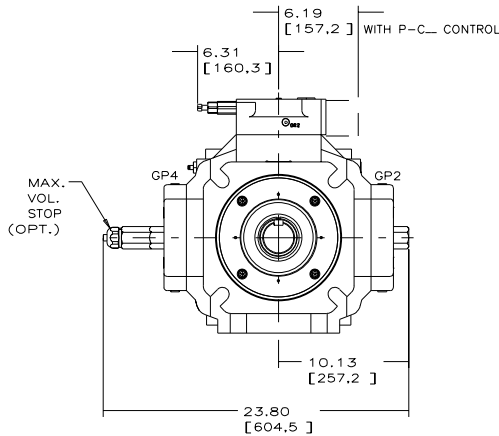
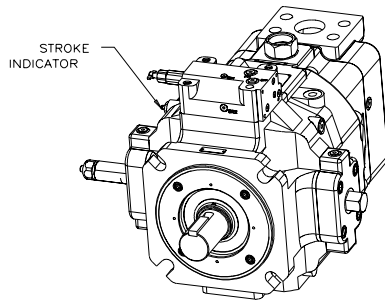


Installation Drawing Single Pressure Compensator or Soft Start Control

PVV-540-BIU PUMP
WITH P-1NN CONTROL (SHOWN)
AND P-C-- CONTROL

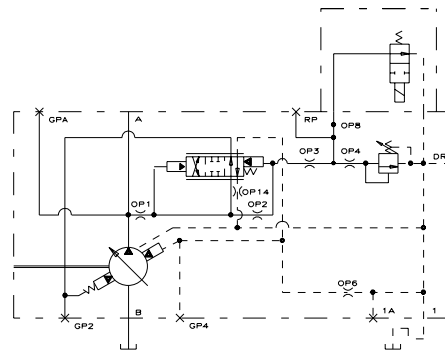
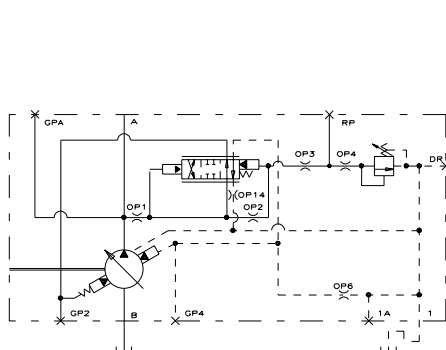
NOTES:

1. PUMPS DESIGNED FOR ONE-WAY SERVICE ARE DIMENSIONED AS SHOWN.
2. THESE UNITS ARE DESIGNED TO RUN CASE FULL OF FLUID AT ALL TIMES. FILL CASE BEFORE STARTING AND CONNECT DRAIN LINES ACCORDINGLY.
3. NUMERICAL DIMENSIONS ARE GIVEN IN INCHES/[MM].
4. NET WEIGHT: P-1NN CONTROL
810 LBS (367 KG) SIDE PORTED (SHOWN)
755 LBS (342 KG) REAR PORTED
P-C-- CONTROL
820 LBS (372 KG) SIDE PORTED
765 LBS (347 KG) REAR PORTED
5. FOR BASIC PUMP DIMENSIONS SEE: DS-47940A
6. LEFTHAND (CGW) VERSION IS SHOWN. FOR RIGHTHAND (CW) VERSION, THE CONTROL CAPS, VOLUME STOPS, AND STROKE INDICATOR WILL BE ON THE OPPOSITE SIDES, ASSUMING THAT THE OUTLET IS ON THE TOP.



P-1NN CONTROL
SINGLE PRESSURE COMPENSATOR CONTROL

P-C-- CONTROL
SINGLE PRESSURE SOFT STARTING CONTROL



519256-006 sh. 1