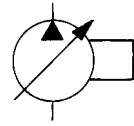


### "RU" CONTROL



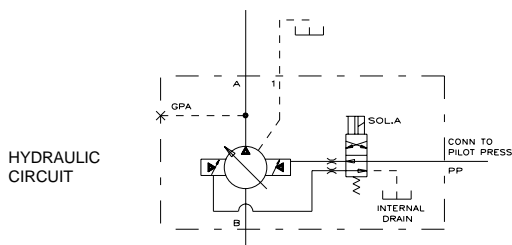
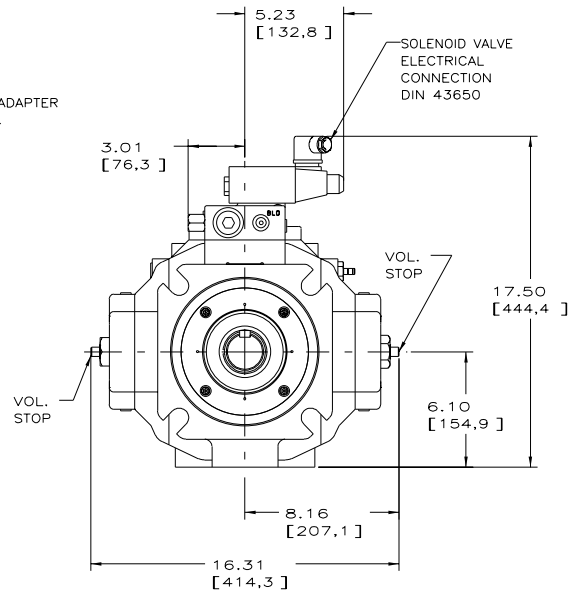
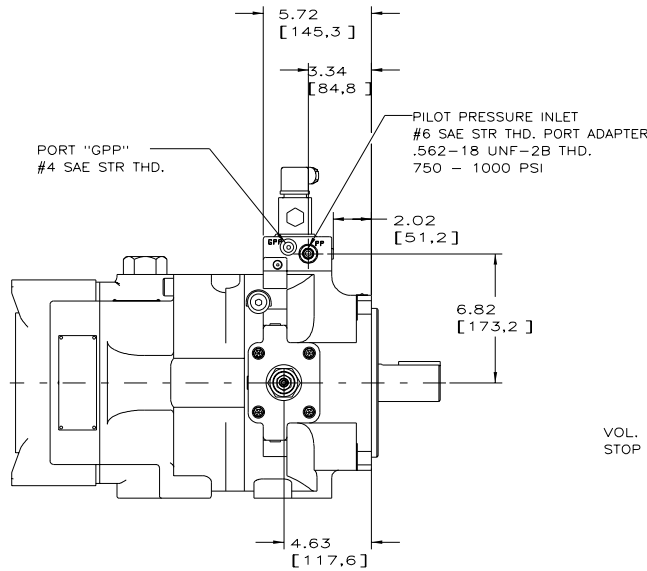
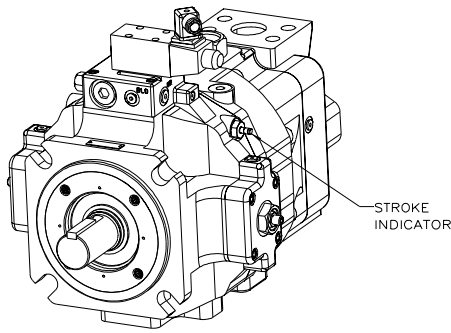
### Installation Drawing

### Solenoid Operated Two Volume Control

PVV-200/250-BIU PUMP (SHOWN)  
PVV-200/250-B1S PUMP  
WITH R-U CONTROL

NOTES:

1. PUMPS DESIGNED FOR ONE-WAY SERVICE ARE DIMENSIONED AS SHOWN.
2. THESE UNITS ARE DESIGNED TO RUN CASE FULL OF FLUID AT ALL TIMES. FILL CASE BEFORE STARTING AND CONNECT DRAIN LINES ACCORDINGLY.
3. NUMERICAL DIMENSIONS ARE GIVEN IN INCHES/[MM].
4. NET WEIGHT- 390 LBS (177 KG) SIDE PORTED (SHOWN)  
365 LBS (166 KG) REAR PORTED
5. FOR BASIC PUMP DIMENSIONS SEE:  
DS-47939
6. PUMP WILL STROKE TO MINIMUM VOLUME SETTING WHEN SOLENOID IS DE-ENERGIZED.



HYDRAULIC CIRCUIT

519103-004