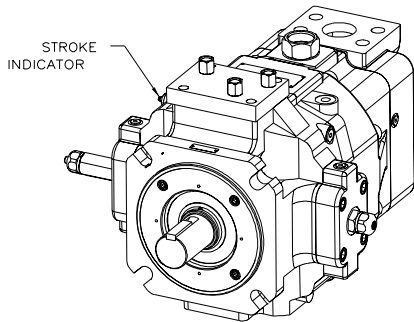


Installation Drawing

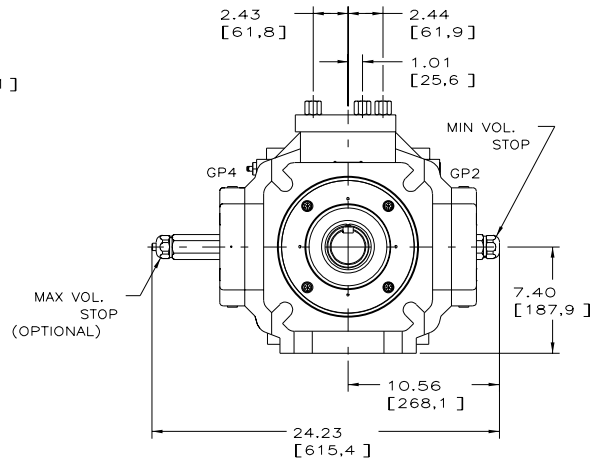
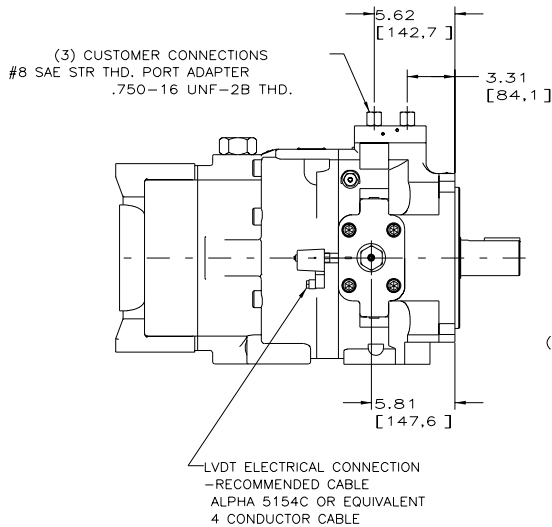
Remote Servo Valve Control

PVV-540-BIU PUMP
WITH V-R CONTROL



NOTES:

1. PUMPS DESIGNED FOR ONE-WAY SERVICE ARE DIMENSIONED AS SHOWN.
2. THESE UNITS ARE DESIGNED TO RUN CASE FULL OF FLUID AT ALL TIMES. FILL CASE BEFORE STARTING AND CONNECT DRAIN LINES ACCORDINGLY.
3. NUMERICAL DIMENSIONS ARE GIVEN IN INCHES/[MM].
4. NET WEIGHT- 800 LBS (362 KG) SIDE PORTED (SHOWN)
745 LBS (338 KG) REAR PORTED
5. FOR BASIC PUMP DIMENSIONS SEE:
DS-47940A
6. LEFTHAND (CCW) VERSION IS SHOWN. FOR RIGHTHAND (CW) VERSION, THE CONTROL CAPS, VOLUME STOPS, AND STROKE INDICATOR WILL BE ON THE OPPOSITE SIDES, ASSUMING THAT THE OUTLET IS ON THE TOP.



519256-003 sh. 2

