

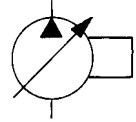


PUMP, VARIABLE DELIVERY PVV-540 "B1"

ENGINEERING

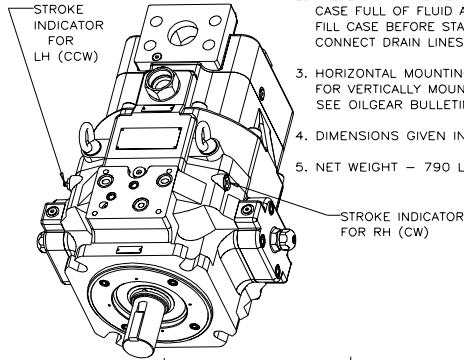
1

BASIC PUMP

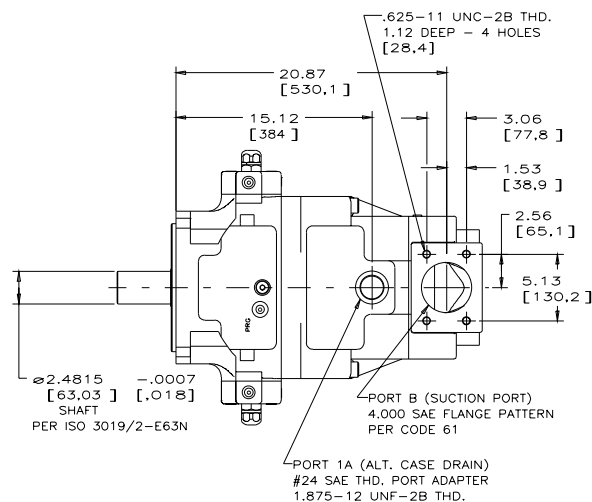
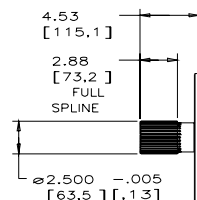
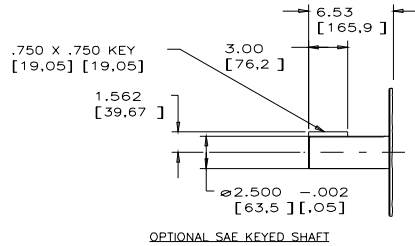
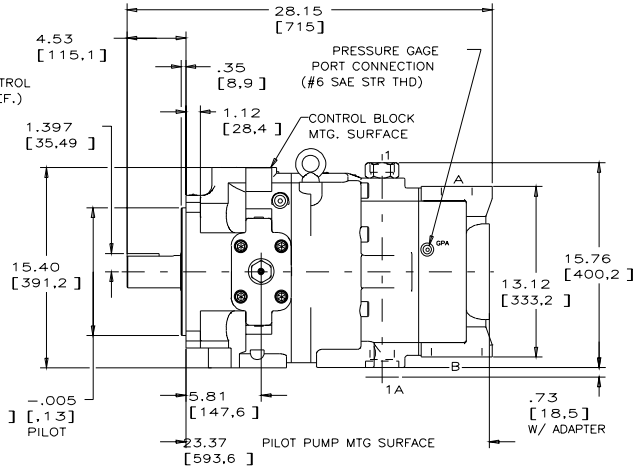
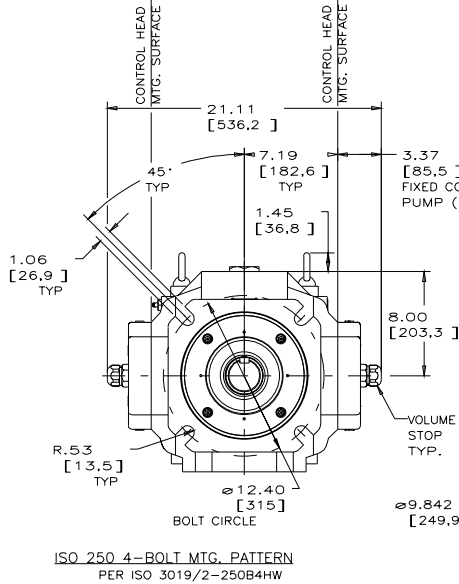
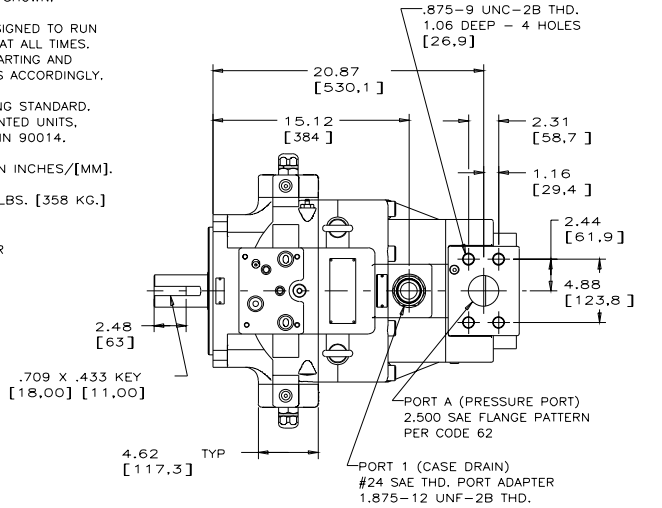


Installation Drawing Basic Pump without Control - Side Ported, ISO Mounting

PVV-540-B1U



- NOTES:
1. PUMPS DESIGNED FOR ONE-WAY SERVICE ARE DIMENSIONED AS SHOWN.
 2. THESE UNITS ARE DESIGNED TO RUN CASE FULL OF FLUID AT ALL TIMES. FILL CASE BEFORE STARTING AND CONNECT DRAIN LINES ACCORDINGLY.
 3. HORIZONTAL MOUNTING STANDARD. FOR VERTICALLY MOUNTED UNITS, SEE OILGEAR BULLETIN 90014.
 4. DIMENSIONS GIVEN IN INCHES/[MM].
 5. NET WEIGHT - 790 LBS. [358 KG.]



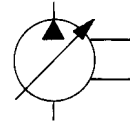
519256-001

Telephone: (414) 327-1700
Fax: (414) 327-0532

OILGEAR
2300 So. 51st. Street
Milwaukee, WI USA 53219

Reissued: Oct., 2002
DS-47940-A

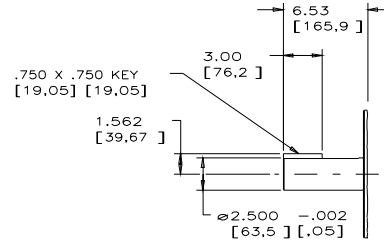
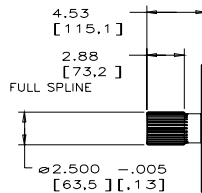
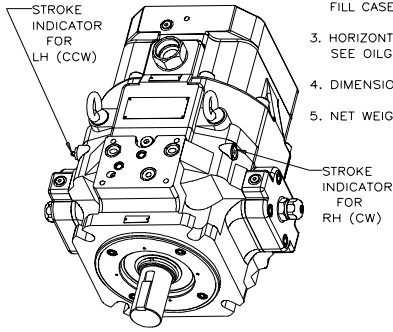
BASIC PUMP



Installation Drawing Basic Pump without Control - Rear Ported, ISO Mounting

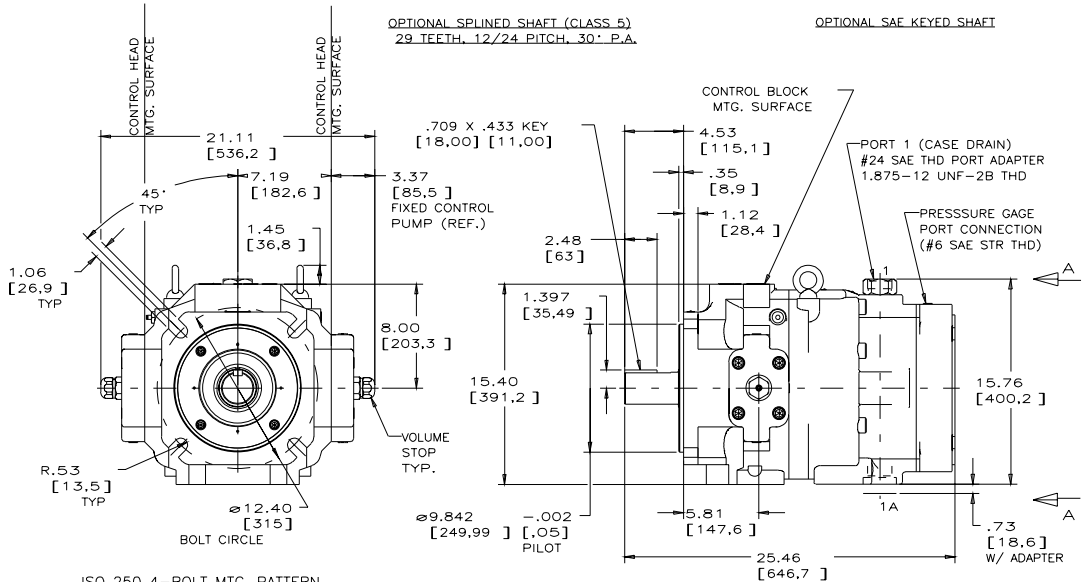
PVV-540-B1U

- NOTES:
1. PUMPS DESIGNED FOR ONE-WAY SERVICE ARE DIMENSIONED AS SHOWN.
 2. THESE UNITS ARE DESIGNED TO RUN CASE FULL OF FLUID AT ALL TIMES. FILL CASE BEFORE STARTING AND CONNECT DRAIN LINES ACCORDINGLY.
 3. HORIZONTAL MOUNTING STANDARD. FOR VERTICALLY MOUNTED UNITS, SEE OILGEAR BULLETIN 90014.
 4. DIMENSIONS GIVEN IN INCHES/[MM].
 5. NET WEIGHT - 735 LBS. [333 KG.]

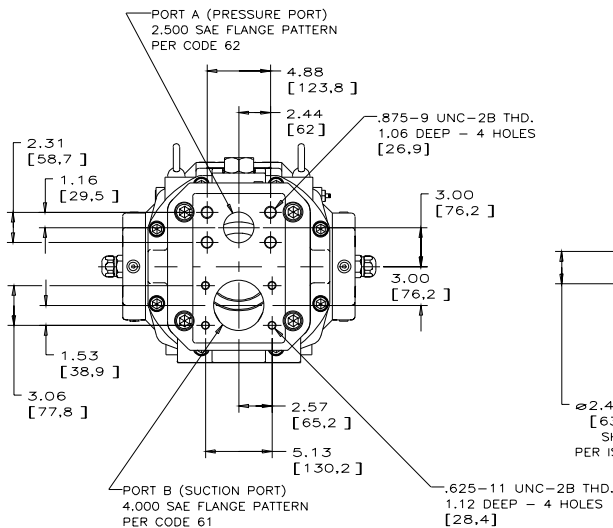


OPTIONAL SPLINED SHAFT (CLASS 5)
29 TEETH, 12/24 PITCH, 30° P.A.

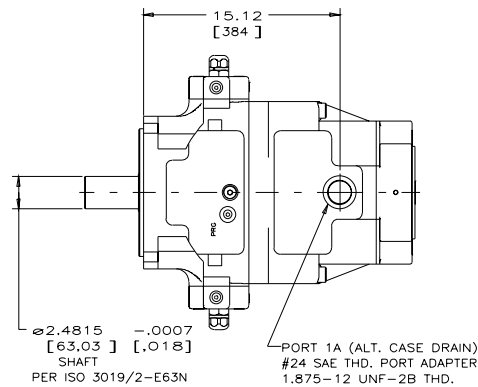
OPTIONAL SAE KEYED SHAFT



ISO 250 4-BOLT MFG. PATTERN
PER ISO 3019/2-250B4HW



VIEW A-A



519256-001 sht. 2