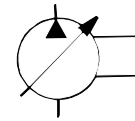
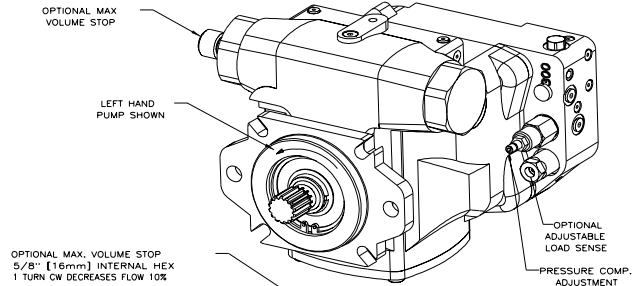
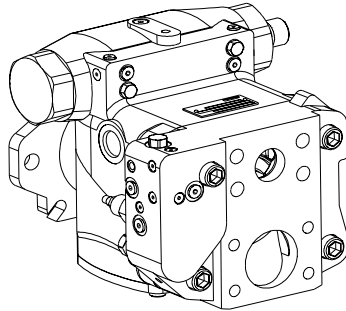


"C" FRAME



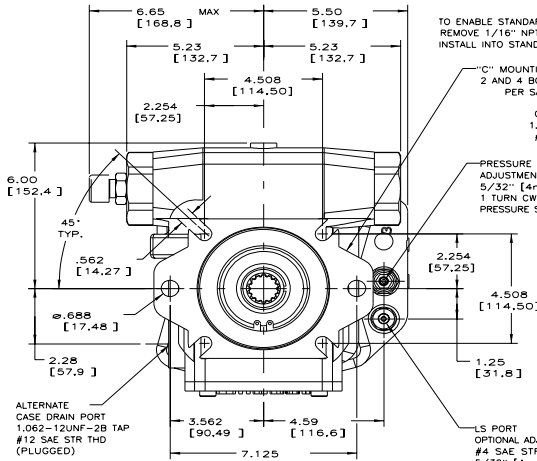
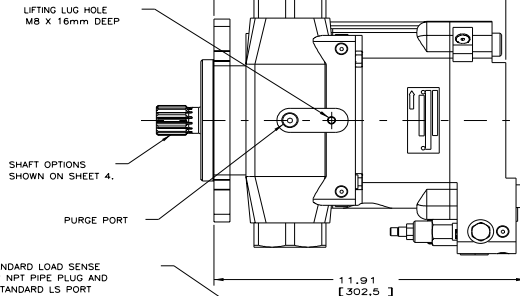
Installation Drawing

Rear Ported



GENERAL NOTES:

- 1) PUMPS ARE DESIGNED FOR ONE-WAY SERVICE.
- 2) THESE UNITS ARE DESIGNED TO RUN WITH CASE FULL OF FLUID AT ALL TIMES. FILL CASE BEFORE STARTING AND CONNECT DRAIN LINES ACCORDINGLY.
- 3) NUMERICAL DIMENSIONS GIVEN IN INCHES/[mm].
- 4) TOTAL WEIGHT = 136 LBS [62,0 KG]
- 5) LEFT HAND PUMP SHOWN. SEE EXPLODED DRAWING 519272-302 FOR RIGHT HAND VERSION.
- 6) SEE SHEET 5 FOR TABLE OF DIMENSIONS DENOTED BY LETTERS.



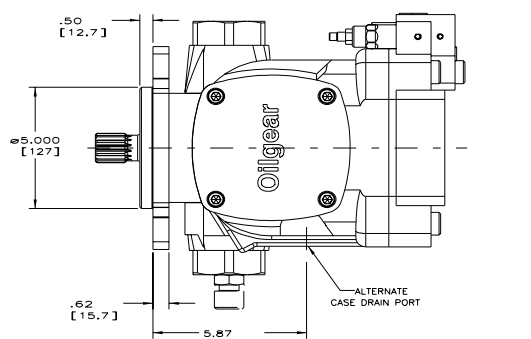
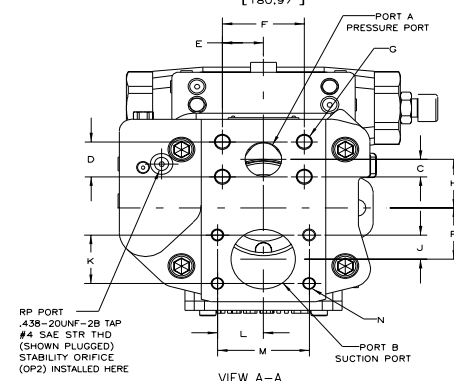
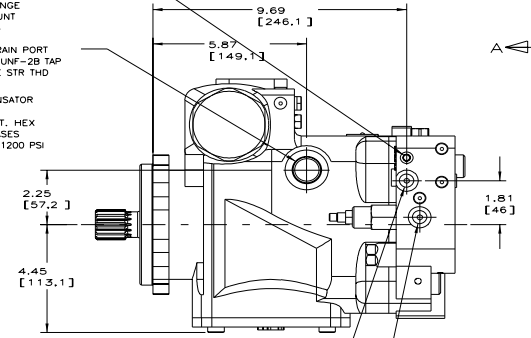
TO ENABLE STANDARD LOAD SENSE REMOVE 1/16" NPT PIPE PLUG AND INSTALL INTO STANDARD LS PORT

"C" MOUNTING FLANGE 2 AND 4 BOLT MOUNT PER SAE J744

CASE DRAIN PORT 1.062-12UNF-2B TAP #12 SAE STR THD

PRESSURE COMPENSATOR ADJUSTMENT 5/32" [4mm] INT. HEX 1 TURN CW INCREASES PRESSURE SETTING 1200 PSI

LS PORT & ADJUSTMENT FOR OPTIONAL ADJUSTABLE LOAD SENSE #4 SAE STR THD PORT 5/32" [4mm] INTERNAL HEX 1 TURN CW INCREASES DIFFERENTIAL PRESSURE 170 PSI



DS-47972-B

519243-302 SP1 SP4

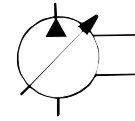
NOTE: DIMENSIONS SHOWN IN [] ARE IN MILLIMETERS

Telephone: (414) 327-1700
Fax: (414) 327-0532

OILGEAR
2300 So. 51st. Street
Milwaukee, WI USA 53219

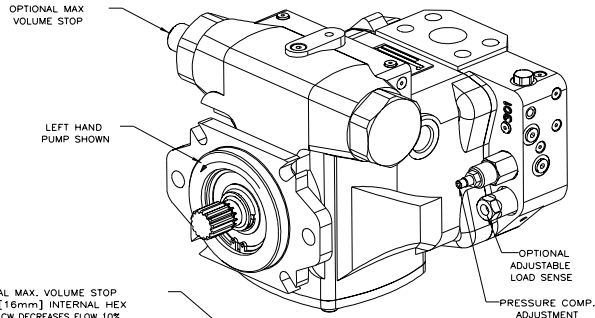
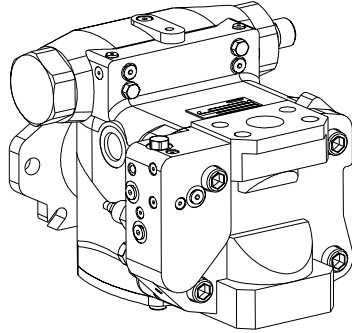
Reissued: Dec., 2003
DS-47972-B

"C" FRAME



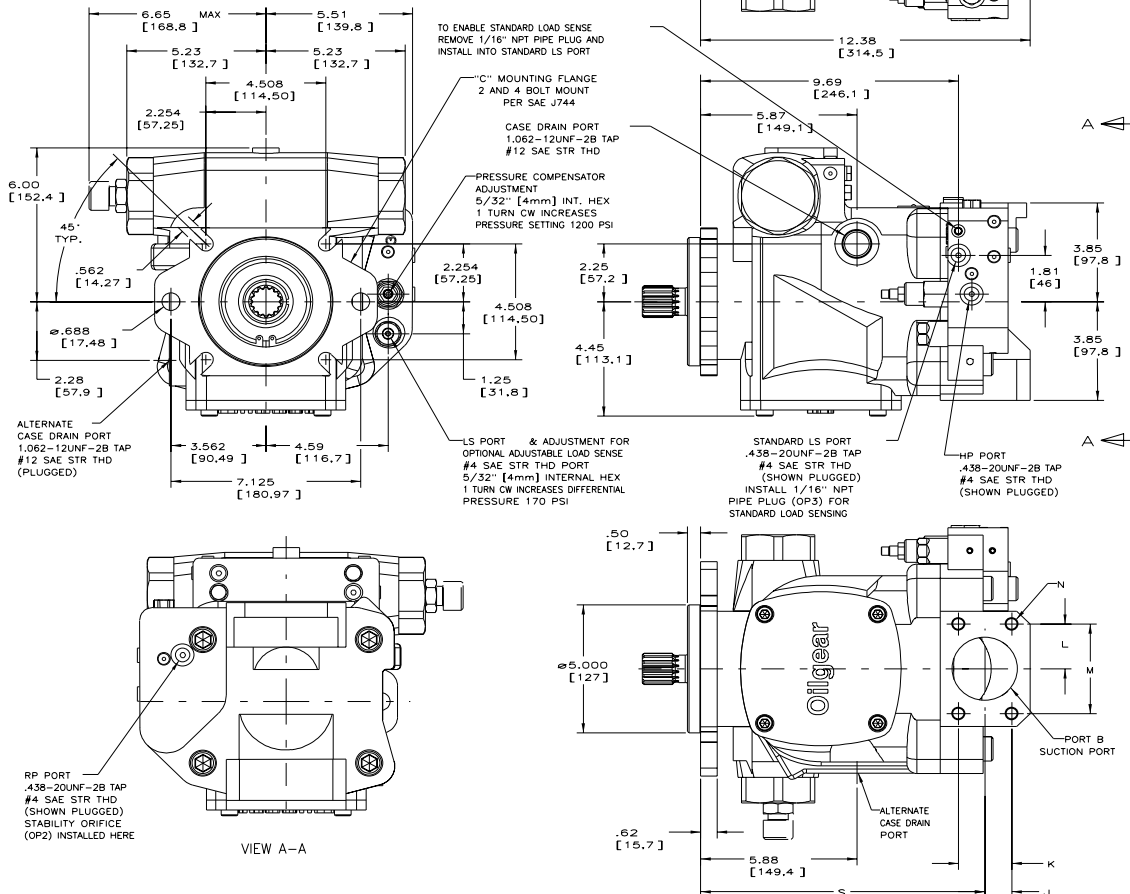
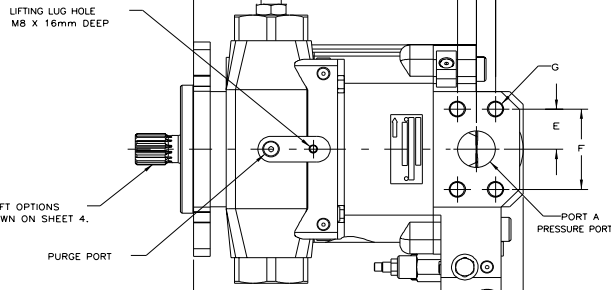
Inatallation Drawing

Side Ported



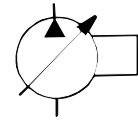
GENERAL NOTES:

- 1) PUMPS ARE DESIGNED FOR ONE-WAY SERVICE.
- 2) THESE UNITS ARE DESIGNED TO RUN WITH CASE FULL OF FLUID AT ALL TIMES. FILL CASE BEFORE STARTING AND CONNECT DRAIN LINES ACCORDINGLY.
- 3) NUMERICAL DIMENSIONS GIVEN IN INCHES/[mm].
- 4) TOTAL WEIGHT = 136 LBS [62,0 KG]
- 5) LEFT HAND PUMP SHOWN. SEE EXPLODED DRAWING 519272-302 FOR RIGHT HAND VERSION.
- 6) SEE SHEET 5 FOR TABLE OF DIMENSIONS DENOTED BY LETTERS.



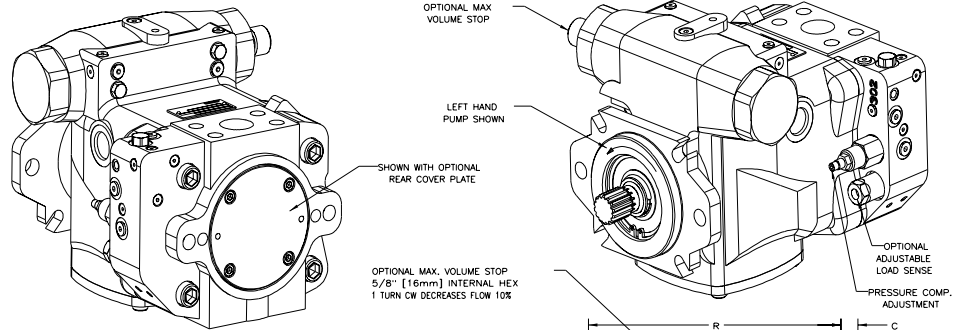
NOTE: DIMENSIONS SHOWN IN [] ARE IN MILLIMETERS

"C" FRAME



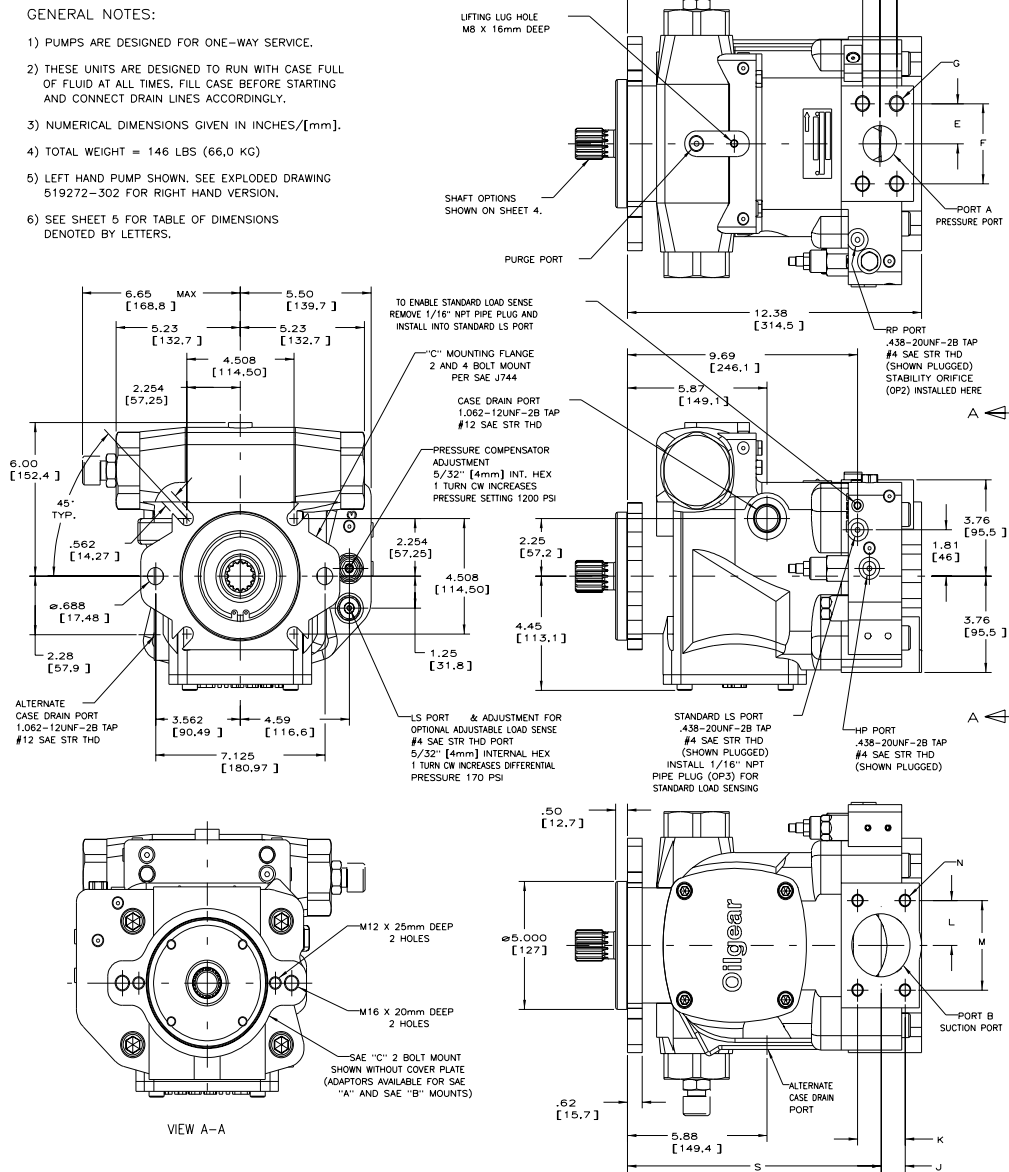
Installation Drawing

Side Ported w/Thru-Shaft



GENERAL NOTES:

- 1) PUMPS ARE DESIGNED FOR ONE-WAY SERVICE.
- 2) THESE UNITS ARE DESIGNED TO RUN WITH CASE FILL OF FLUID AT ALL TIMES, FILL CASE BEFORE STARTING AND CONNECT DRAIN LINES ACCORDINGLY.
- 3) NUMERICAL DIMENSIONS GIVEN IN INCHES/[mm].
- 4) TOTAL WEIGHT = 146 LBS (66,0 KG)
- 5) LEFT HAND PUMP SHOWN. SEE EXPLODED DRAWING 519272-302 FOR RIGHT HAND VERSION.
- 6) SEE SHEET 5 FOR TABLE OF DIMENSIONS DENOTED BY LETTERS.

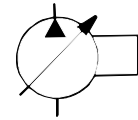


NOTE: DIMENSIONS SHOWN IN [] ARE IN MILLIMETERS

Telephone: (414) 327-1700
Fax: (414) 327-0532

OILGEAR
2300 So. 51st. Street
Milwaukee, WI USA 53219

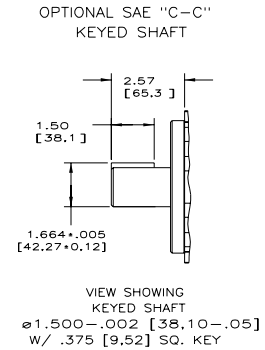
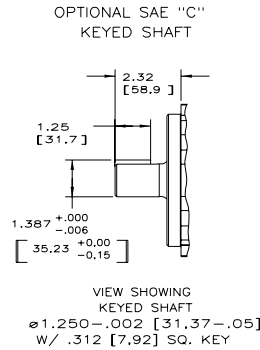
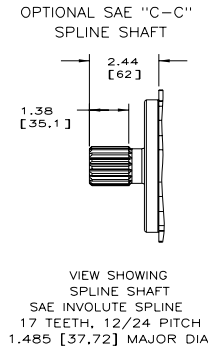
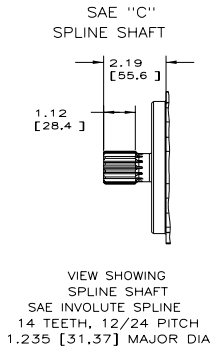
Reissued: Dec., 2003
DS-47972-B



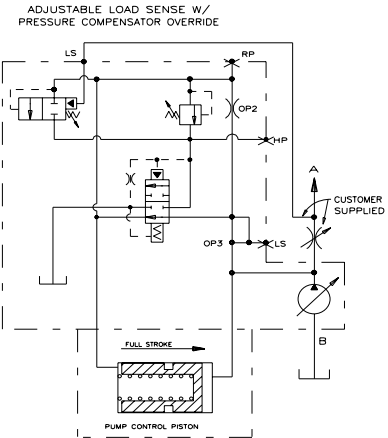
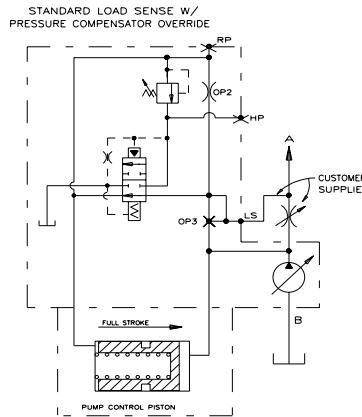
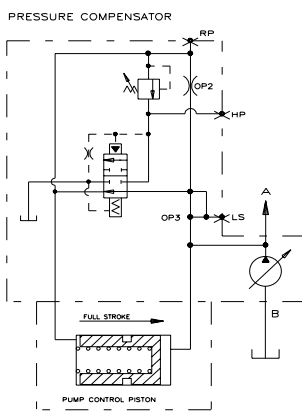
Installation Drawing

Shaft & Control Options

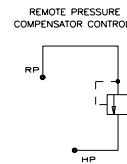
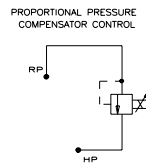
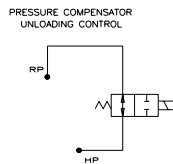
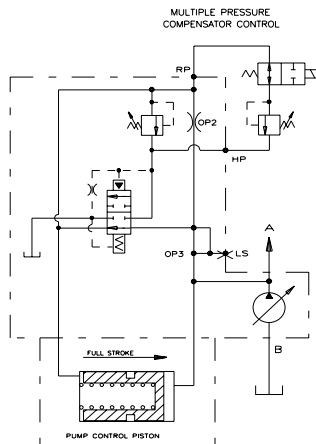
SHAFT OPTIONS



PUMP CONTROL OPTIONS



REMOTE PRESSURE CONTROL OPTIONS



NOTE: DIMENSIONS SHOWN IN [] ARE IN MILLIMETERS

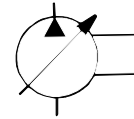


**PUMP, VARIABLE DELIVERY
PVM 064, 076, 098 &130**

ENGINEERING

5

"C" FRAME



Installation Drawing

Assembly Data

FLANGED SUCTION		& FLANGED PRESSURE PORTS	
DIMENSION	PVM-064 & 076	PVM-098	PVM-130
PORT A	1-1/4" SAE CODE 62	1-1/2" SAE CODE 62	1-1/2" SAE CODE 62
PORT B	2" SAE CODE 61	2" SAE CODE 61	2-1/2" SAE CODE 61
C	.625 [15,88]	.719 [18,26]	.719 [18,26]
D	1.250 [31,75]	1.438 [36,53]	1.438 [36,53]
E	1.312 [33,32]	1.562 [39,68]	1.562 [39,68]
F	2.625 [66,68]	3.125 [79,38]	3.125 [79,38]
G	.500-13UNC-2B .75 DEEP	.625-11UNC-2B .78 DEEP	.625-11UNC-2B .78 DEEP
H	2.00 [50,8]	2.00 [50,8]	2.00 [50,8]
J	.844 [21,44]	.844 [21,44]	1.000 [25,40]
K	1.688 [42,88]	1.688 [42,88]	2.000 [50,80]
L	1.531 [38,89]	1.531 [38,89]	1.750 [44,45]
M	3.062 [77,77]	3.062 [77,77]	3.500 [88,90]
N	.500-13UNC-2B .75 DEEP	.500-13UNC-2B .75 DEEP	.500-13UNC-2B .75 DEEP
P	1.88 [47,8]	1.88 [47,8]	2.12 [53,8]
R	10.63 [270]	10.63 [270]	10.63 [270]
S	10.63 [270]	10.63 [270]	10.69 [271,5]

FLANGED SUCTION		& SAE PRESSURE PORTS	
DIMENSION	PVM-064 & 076	PVM-098	PVM-130
PORT A	#20 SAE STR THD (1.625-12UNF-2B)	#24 SAE STR THD (1.875-12UNF-2B)	#24 SAE STR THD (1.875-12UNF-2B)
PORT B	2" SAE CODE 61	2" SAE CODE 61	2-1/2" SAE CODE 61
C	N/A	N/A	N/A
D	N/A	N/A	N/A
E	N/A	N/A	N/A
F	N/A	N/A	N/A
G	N/A	N/A	N/A
H	2.00 [50,8]	2.00 [50,8]	2.00 [50,8]
J	.844 [21,44]	.844 [21,44]	1.000 [25,40]
K	1.688 [42,88]	1.688 [42,88]	2.000 [50,80]
L	1.531 [38,89]	1.531 [38,89]	1.750 [44,45]
M	3.062 [77,77]	3.062 [77,77]	3.500 [88,90]
N	.500-13UNC-2B .75 DEEP	.500-13UNC-2B .75 DEEP	.500-13UNC-2B .75 DEEP
P	1.88 [47,8]	1.88 [47,8]	2.12 [53,8]
R	10.63 [270]	10.63 [270]	10.63 [270]
S	10.63 [270]	10.63 [270]	10.69 [271,5]

NOTE: DIMENSIONS SHOWN IN [] ARE IN MILLIMETERS

Telephone: (414) 327-1700
Fax: (414) 327-0532

OILGEAR
2300 So. 51st. Street
Milwaukee, WI USA 53219

Reissued: Dec., 2003
DS-47972-B