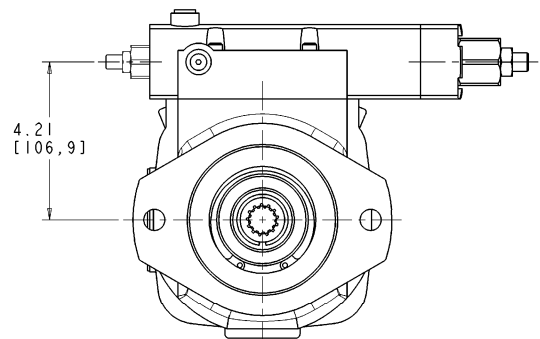
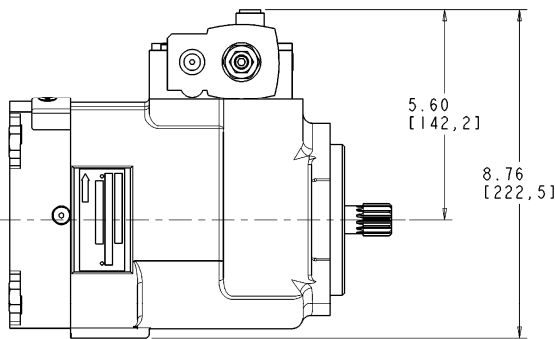
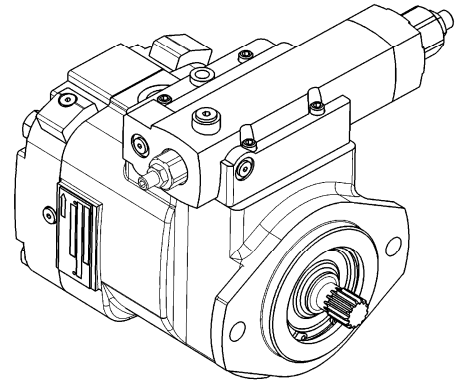
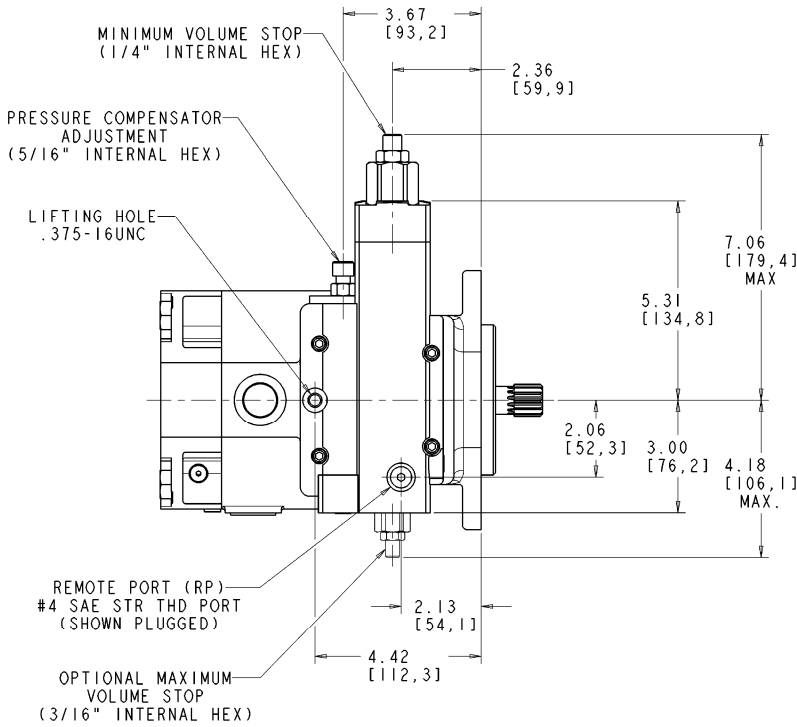
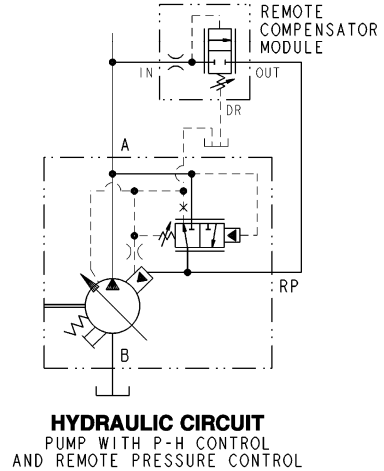
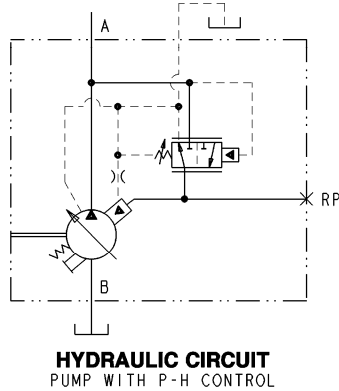


### Installation Drawing High-Low Pressure Compensator Control (B Frame)



FOR BASIC PUMP DIMENSIONS SEE PLANOGRAPHS:  
DS-47483, DS-47484, DS-47485