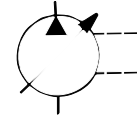




**PUMP, VARIABLE DELIVERY  
PVWJ 064  
WITHOUT CONTROLS**

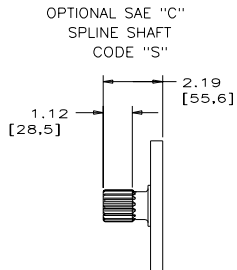
**ENGINEERING**

**1**

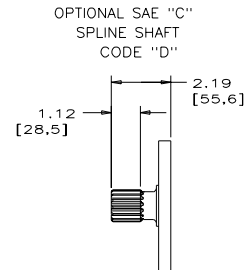


**Installation Drawing**

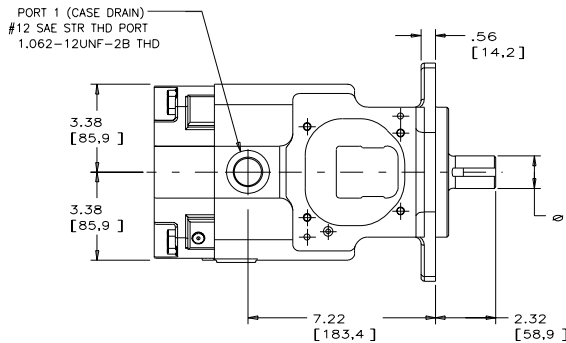
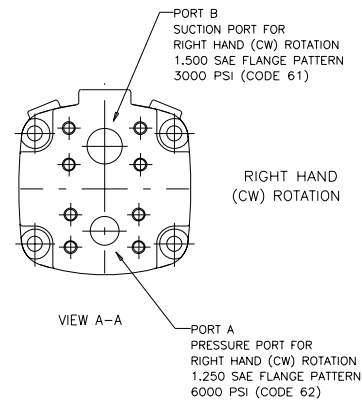
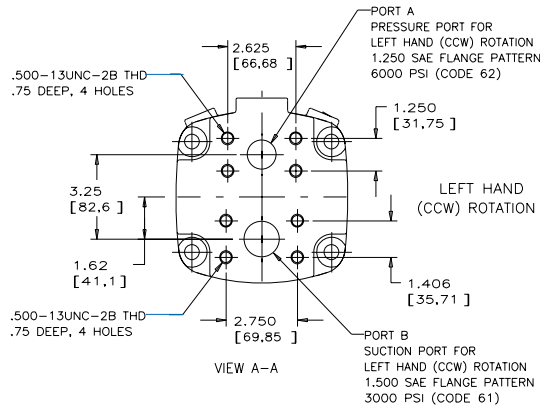
**Basic Pump Without Control – Rear Ported**



VIEW SHOWING OPTIONAL SPLINE SHAFT  
SAE INVOLUTE SPLINE 14 TEETH, 12/24 PITCH  
1.235 [31,37] MAJOR DIA.

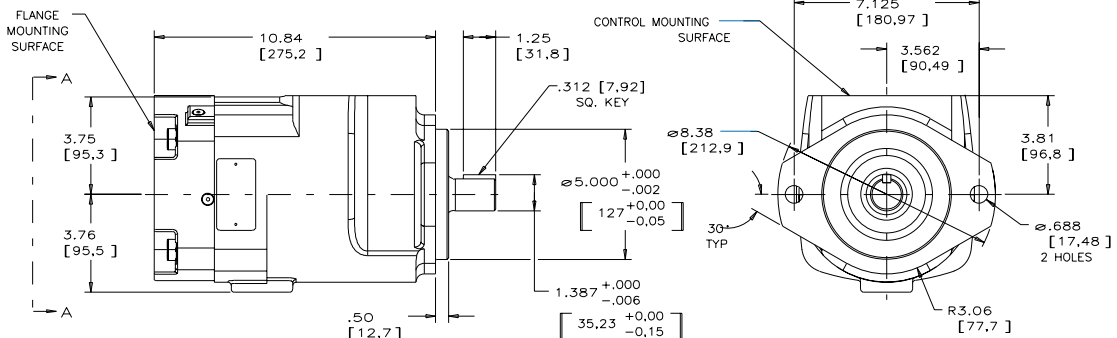


VIEW SHOWING OPTIONAL SPLINE SHAFT  
SAE INVOLUTE SPLINE 14 TEETH, 12/24 PITCH  
1.250 [31,75] MAJOR DIA.  
(INDUSTRIAL VERSION)



**NOTES:**

- 1) PUMPS ARE DESIGNED FOR ONE-WAY SERVICE.
- 2) THESE UNITS ARE DESIGNED TO RUN CASE FULL OF FLUID AT ALL TIMES. FILL CASE BEFORE STARTING AND CONNECT DRAIN LINES ACCORDINGLY.
- 3) NUMERICAL DIMENSIONS GIVEN IN INCHES/[MM].
- 4) NET WEIGHT- 83 LBS. [37,65 KG].



520034-301

Telephone: (414) 327-1700  
Fax: (414) 327-0532

**OILGEAR**  
2300 So. 51st. Street  
Milwaukee, WI USA 53219

Issued: Oct., 2006  
**DS-47486**