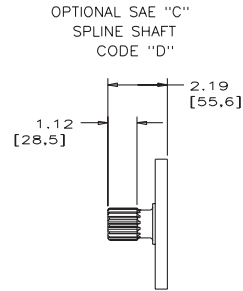
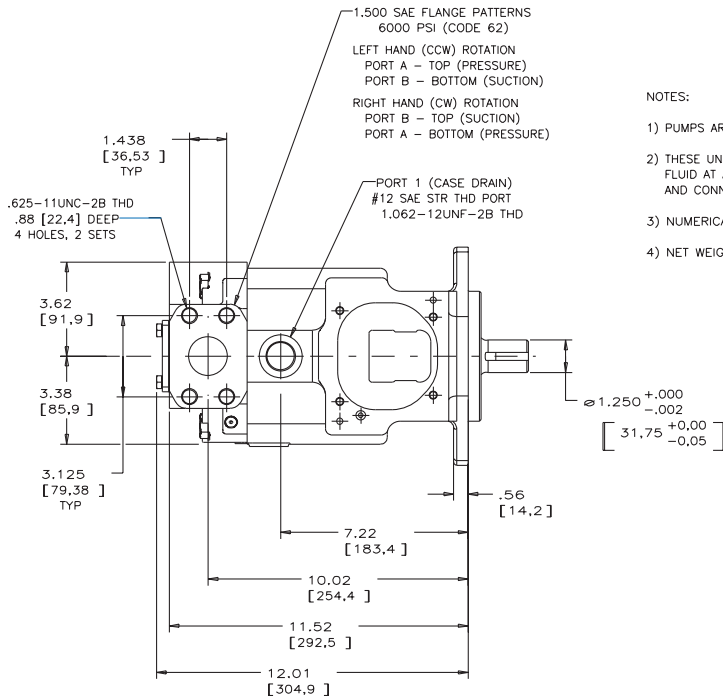


VIEW SHOWING OPTIONAL SPLINE SHAFT
SAE INVOLUTE SPLINE 14 TEETH, 12/24 PITCH
1.235 [31,37] MAJOR DIA.

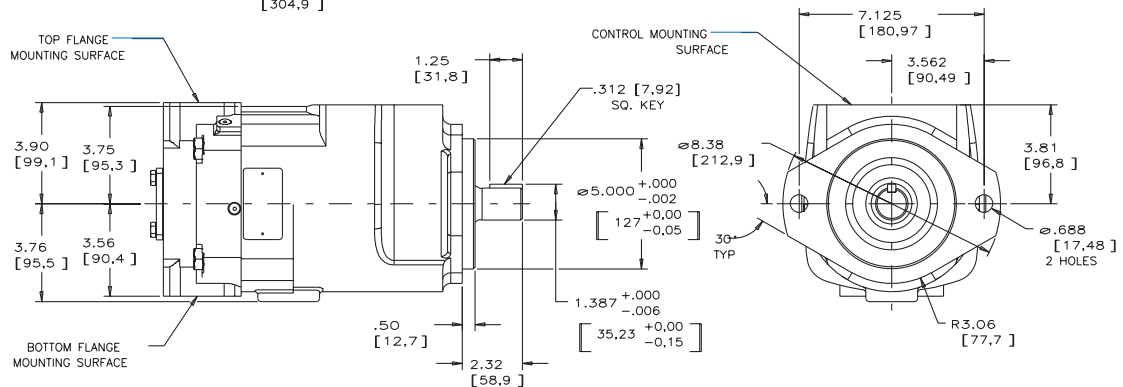


VIEW SHOWING OPTIONAL SPLINE SHAFT
SAE INVOLUTE SPLINE 14 TEETH, 12/24 PITCH
1.250 [31,75] MAJOR DIA.
(INDUSTRIAL VERSION)



NOTES:

- 1) PUMPS ARE DESIGNED FOR ONE-WAY SERVICE.
- 2) THESE UNITS ARE DESIGNED TO RUN CASE FULL OF FLUID AT ALL TIMES. FILL CASE BEFORE STARTING AND CONNECT DRAIN LINES ACCORDINGLY.
- 3) NUMERICAL DIMENSIONS GIVEN IN INCHES/[MM].
- 4) NET WEIGHT- 83 LBS [37,65 KG].



520034-303