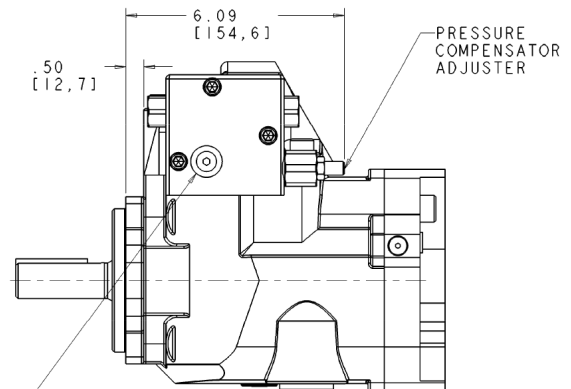
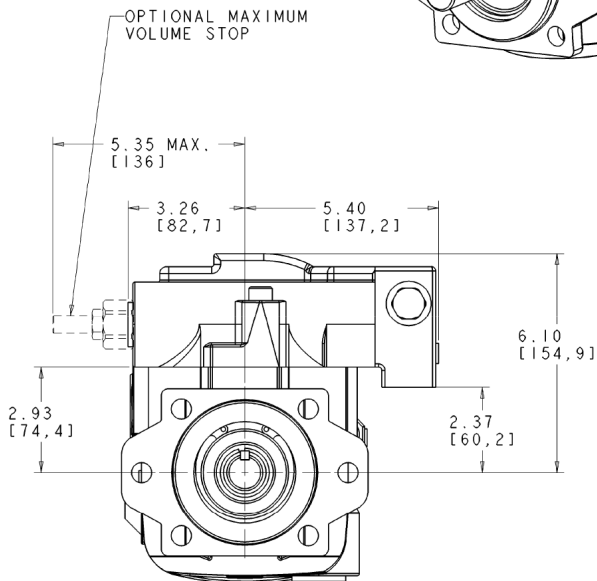
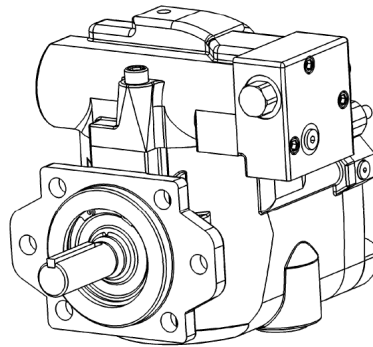


HYDRAULIC CIRCUIT



REMOTE PORT RP1  
#4 SAE STRAIGHT THD.  
(PLUGGED)  
(.438-20 UNF-2B TAP)

FOR BASIC PUMP DIMENSIONS  
SEE PLANOGRAPHS;  
DS-47952, DS-47953 & DS47954

517118-204