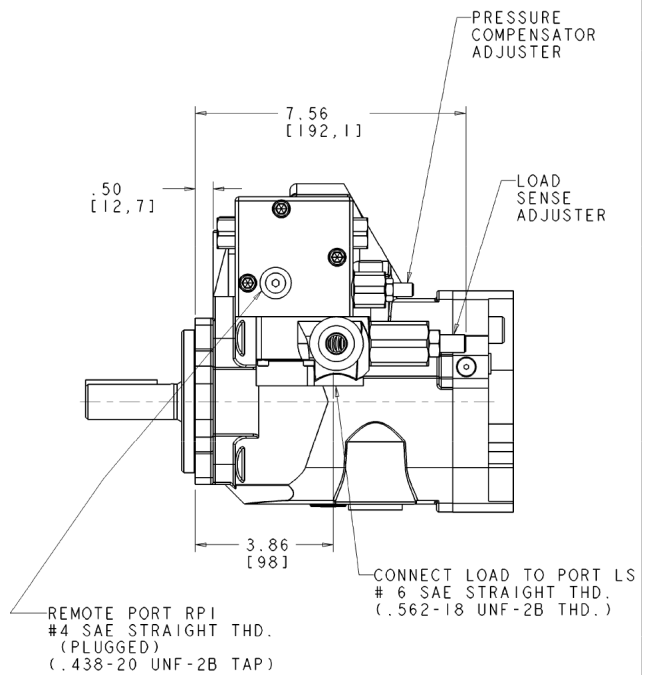
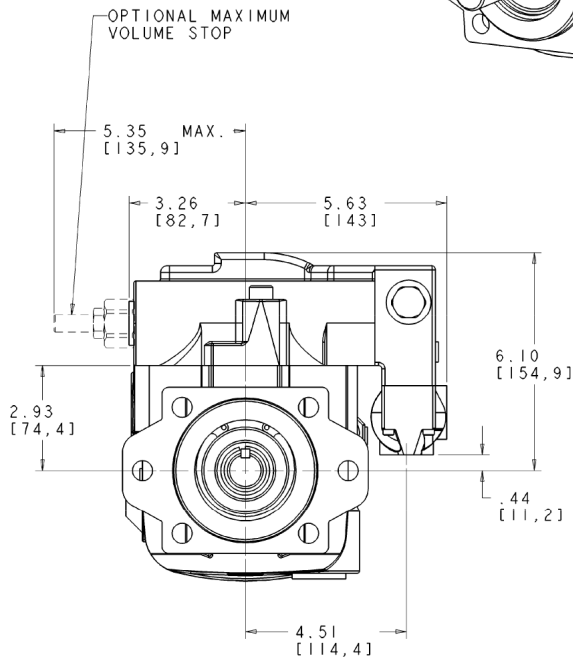
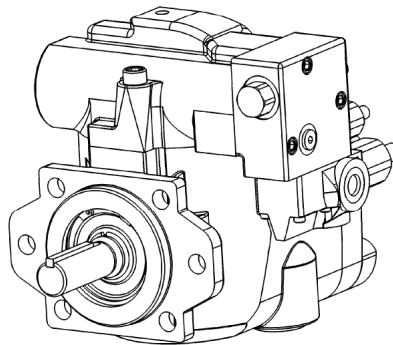


HYDRAULIC CIRCUIT



FOR BASIC PUMP DIMENSIONS
SEE PLANOGRAPHS;
DS-47952, DS-47953 & DS-47954

517118-205