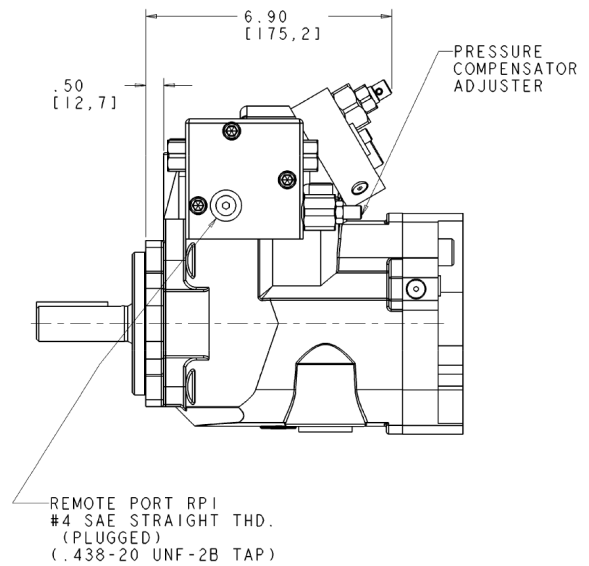
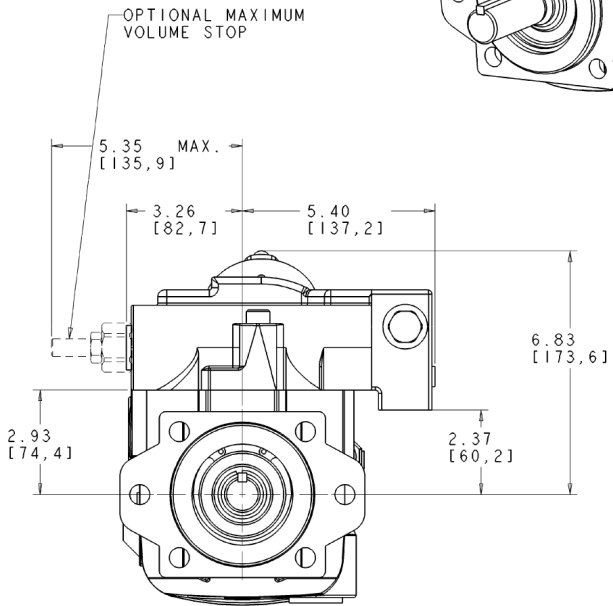
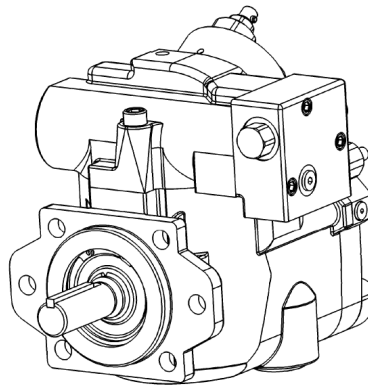


HYDRAULIC CIRCUIT



FOR BASIC PUMP DIMENSIONS
SEE PLANOGRAPHS:
DS-47952, DS-47953 & DS-47954

517118-206