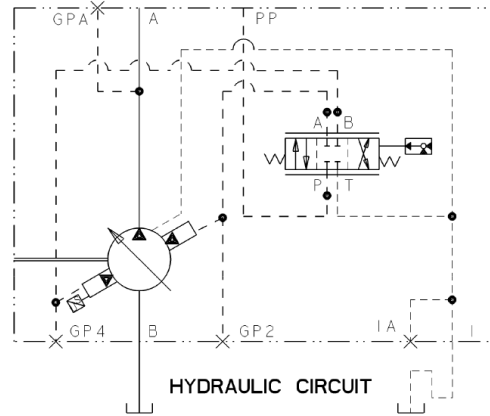
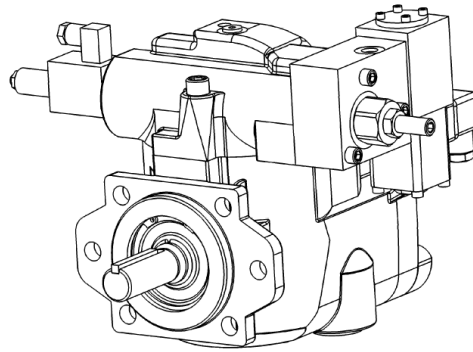


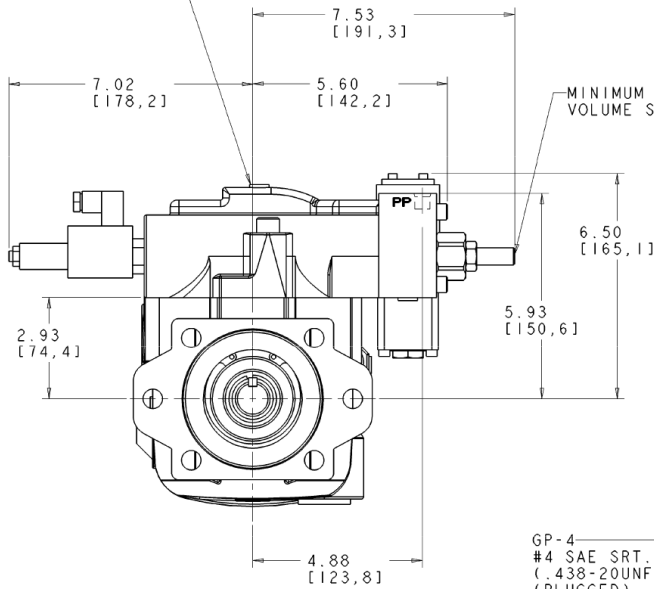
ELECTRICAL DIAGRAM



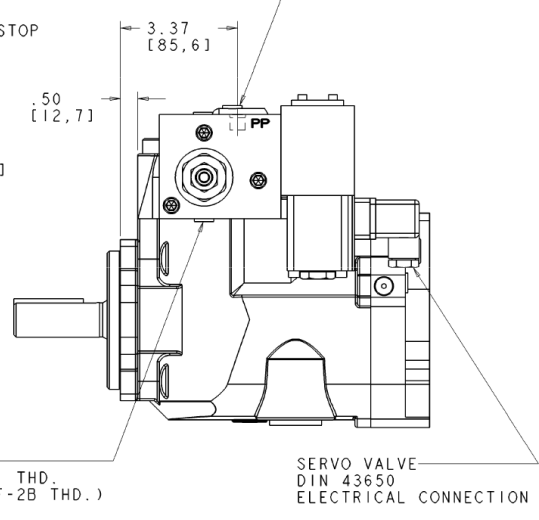
HYDRAULIC CIRCUIT



GP-2  
#4 SAE SRT. THD.  
(.438-20UNF-2B THD.)  
(PLUGGED)



PILOT PRESSURE INLET  
#4 SAE STR. THD.  
(.438-20UNF-2B THD.)  
(3-MICRON FILTERED OIL  
REQUIRED 580 PSI)



FOR BASIC PUMP DIMENSIONS  
SEE PLANOGRAPHS:  
DS-47952, DS-47953 & DS47954

517118-215