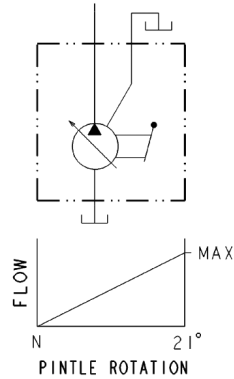
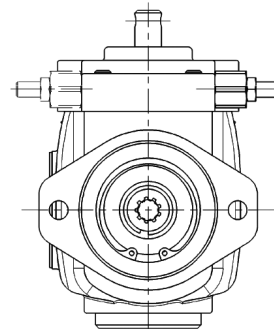
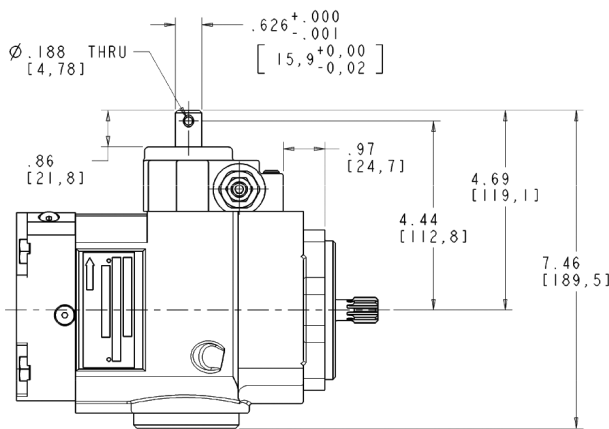
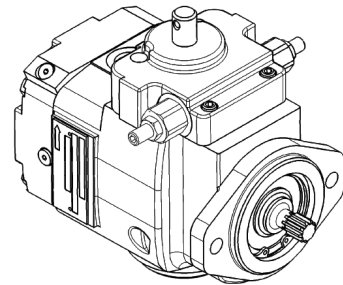
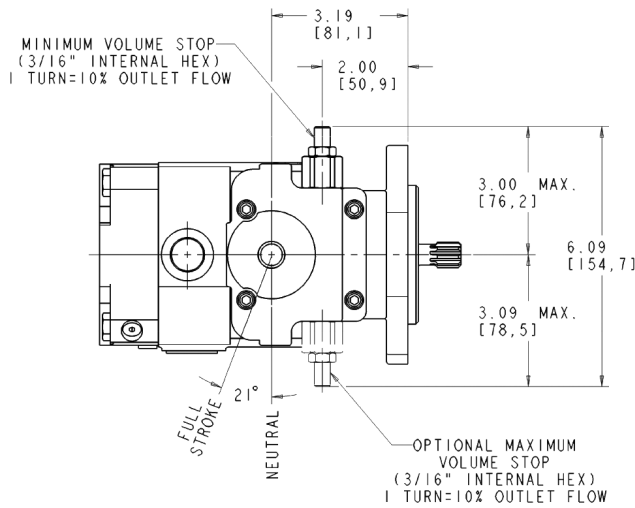
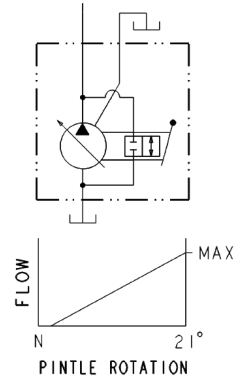


**M-N CONTROL**



**M-S CONTROL**



FOR BASIC PUMP DIMENSIONS SEE PLANOGRAPHS:  
DS-47480, DS-47481, DS-47482

520012-105