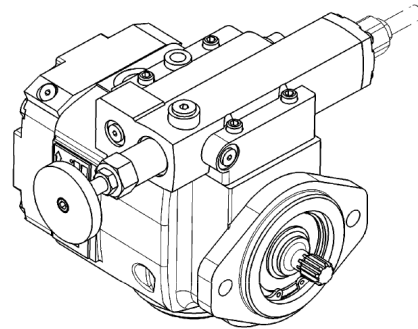
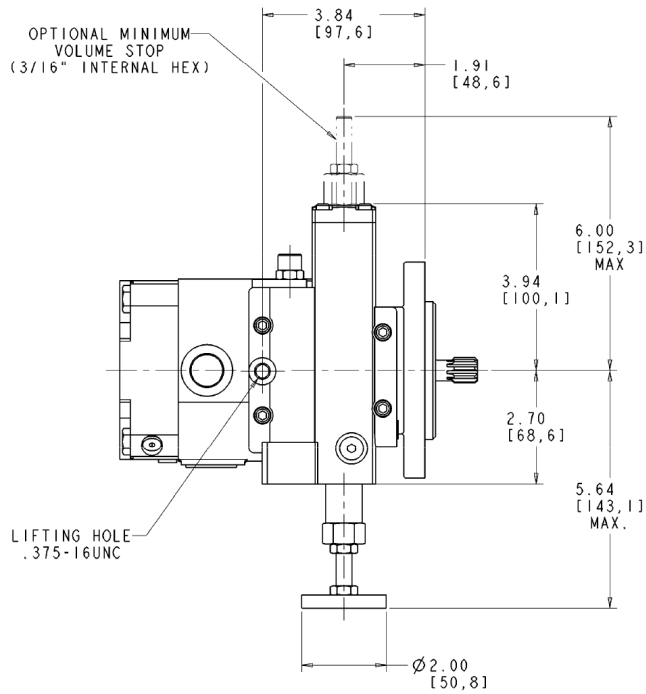
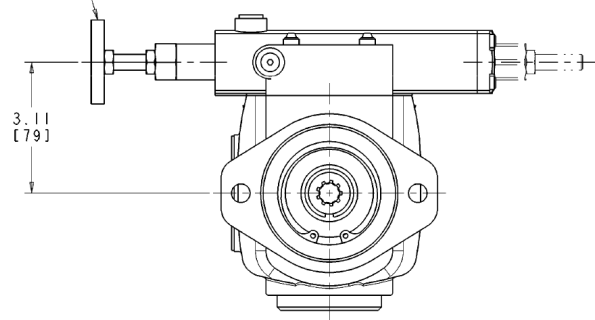
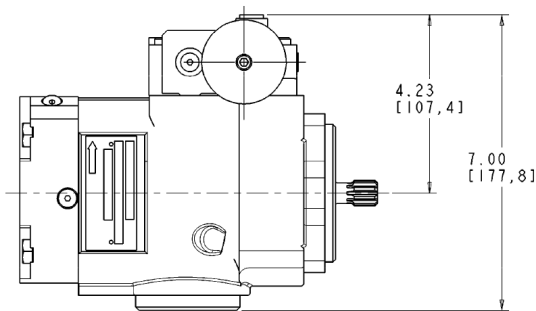


HYDRAULIC CIRCUIT
PUMP WITH M-H CONTROL



LIFTING HOLE
.375-16UNC

CLOCKWISE ROTATION OF HANDWHEEL DECREASES PUMP FLOW.
COUNTERCLOCKWISE ROTATION INCREASES PUMP FLOW.
NEUTRAL TO FULL STROKE REQUIRES 11 TURNS.



FOR BASIC PUMP DIMENSIONS SEE PLANOGRAPHS:
DS-47480, DS-47481, DS-47482

520012-109