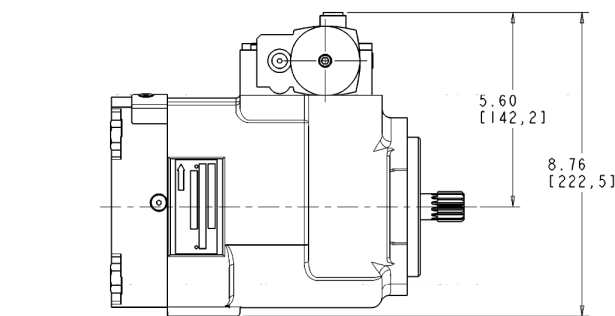
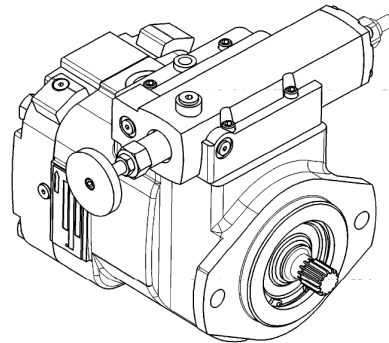
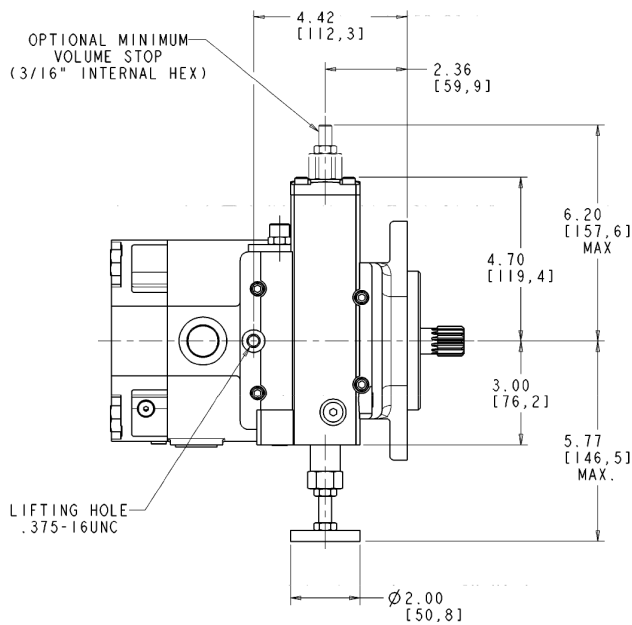
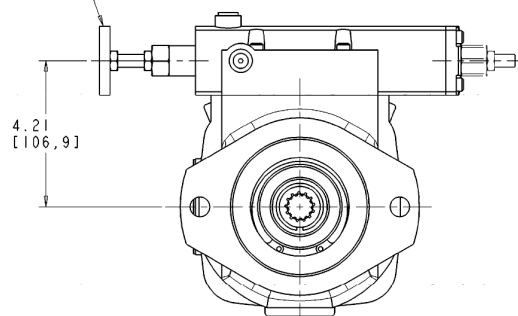


**HYDRAULIC CIRCUIT**  
PUMP WITH M-H CONTROL



CLOCKWISE ROTATION OF HANDWHEEL DECREASES PUMP FLOW.  
COUNTERCLOCKWISE ROTATION INCREASES PUMP FLOW.  
NEUTRAL TO FULL STROKE REQUIRES 14.5 TURNS.



FOR BASIC PUMP DIMENSIONS SEE PLANOGRAPHS:  
DS-47483, DS-47484, DS-47485

520012-213