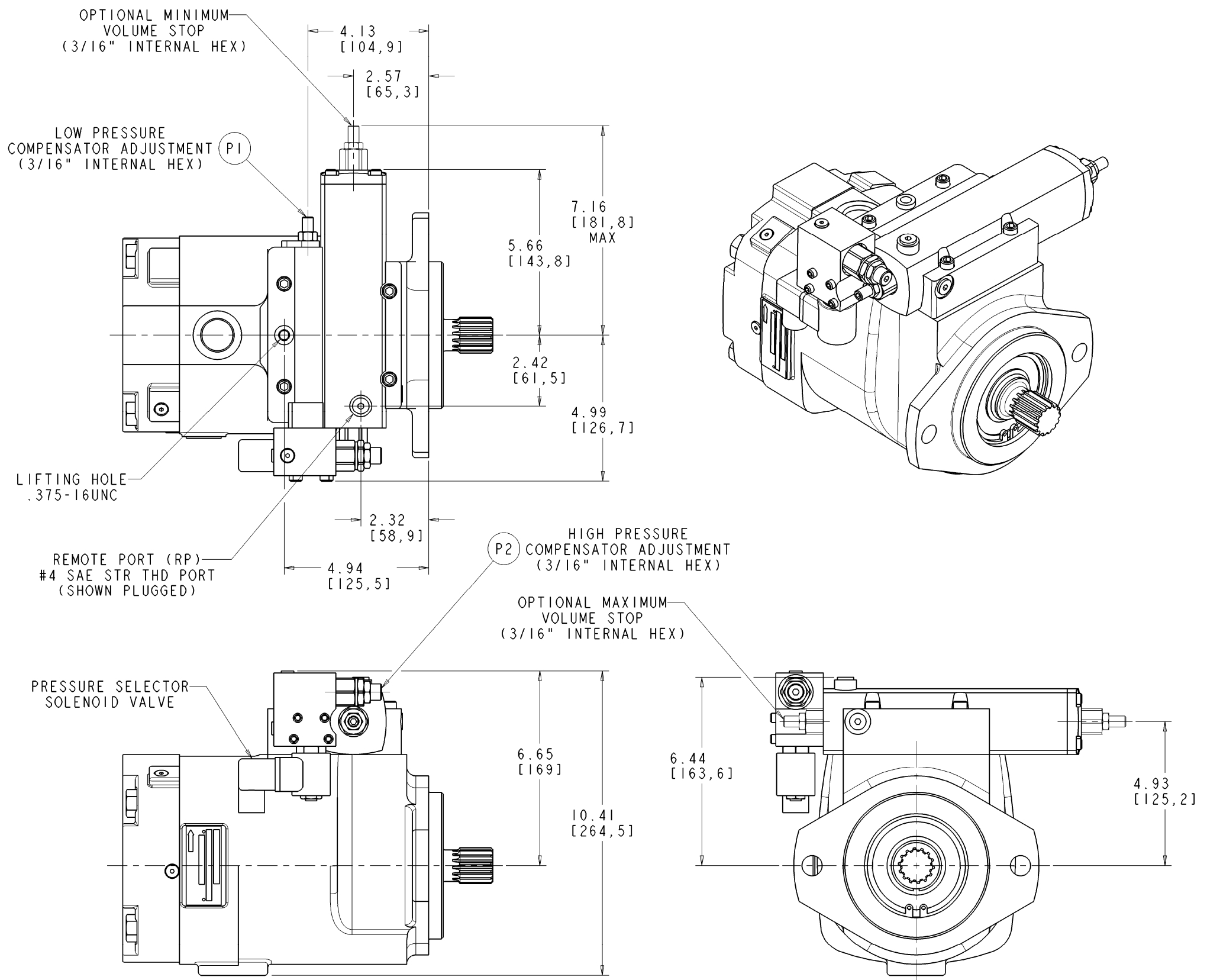
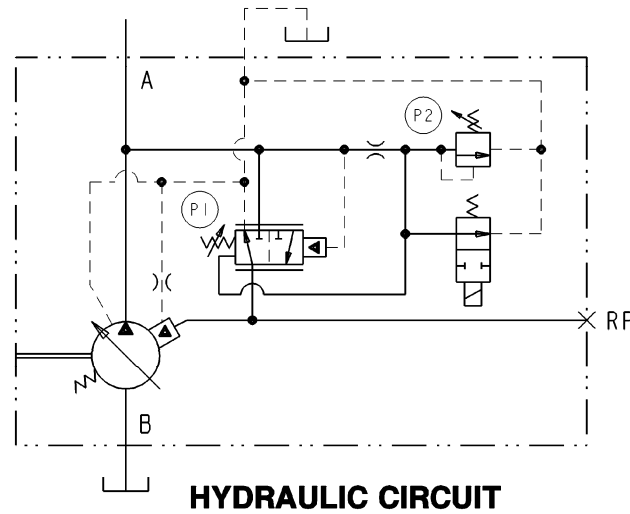


Installation Drawing

Dual Pressure Compensator Control (C Frame)



FOR BASIC PUMP DIMENSIONS SEE PLANOGRAPHS:
 SIZE -064 PUMP: DS-47486, DS-47488
 SIZE -076/-098/-130 PUMPS: DS-47487, DS-47489

520012-305

Telephone: (414) 327-1700
 Fax: (414) 327-0532

OILGEAR
 2300 So. 51st Street
 Milwaukee, WI USA 53219

Issued: June, 2009
DS-48107