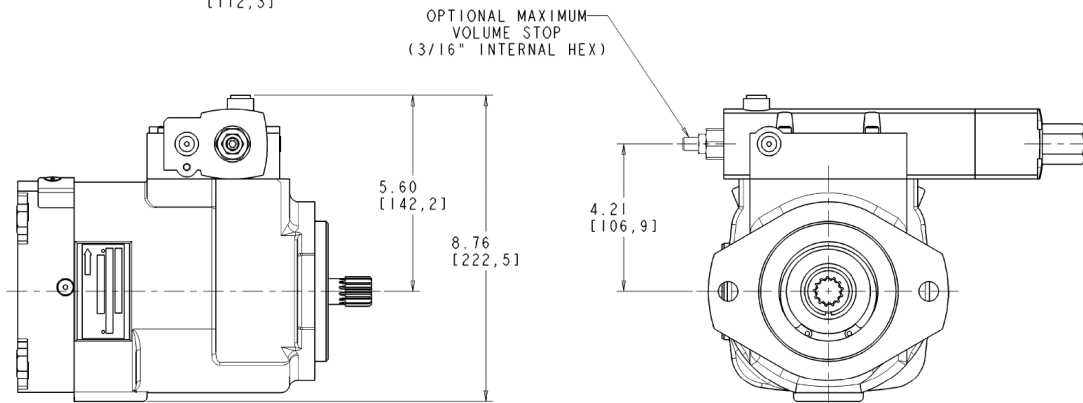
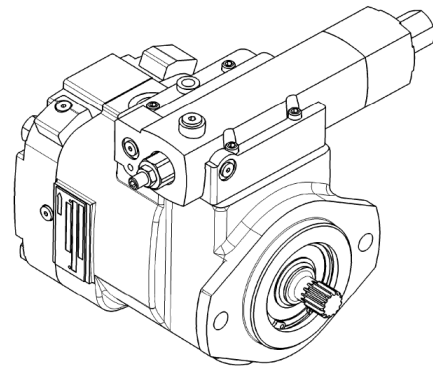
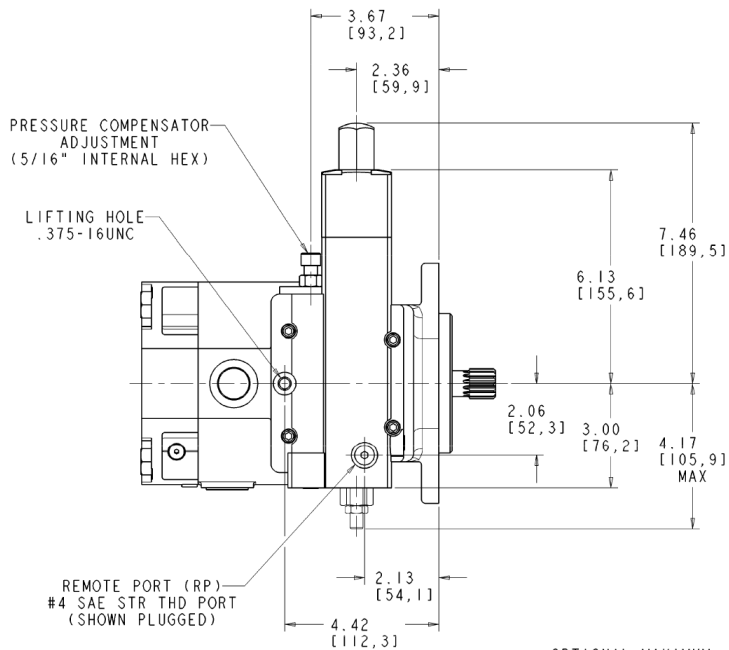


HYDRAULIC CIRCUIT



FOR BASIC PUMP DIMENSIONS SEE PLANOGRAPHS:
DS-47483, DS-47484, DS-47485

520012-207