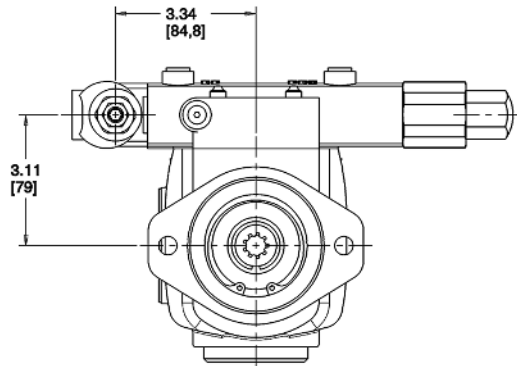
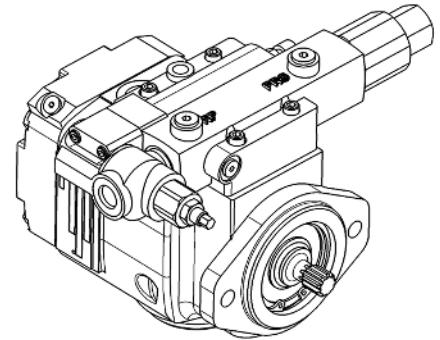
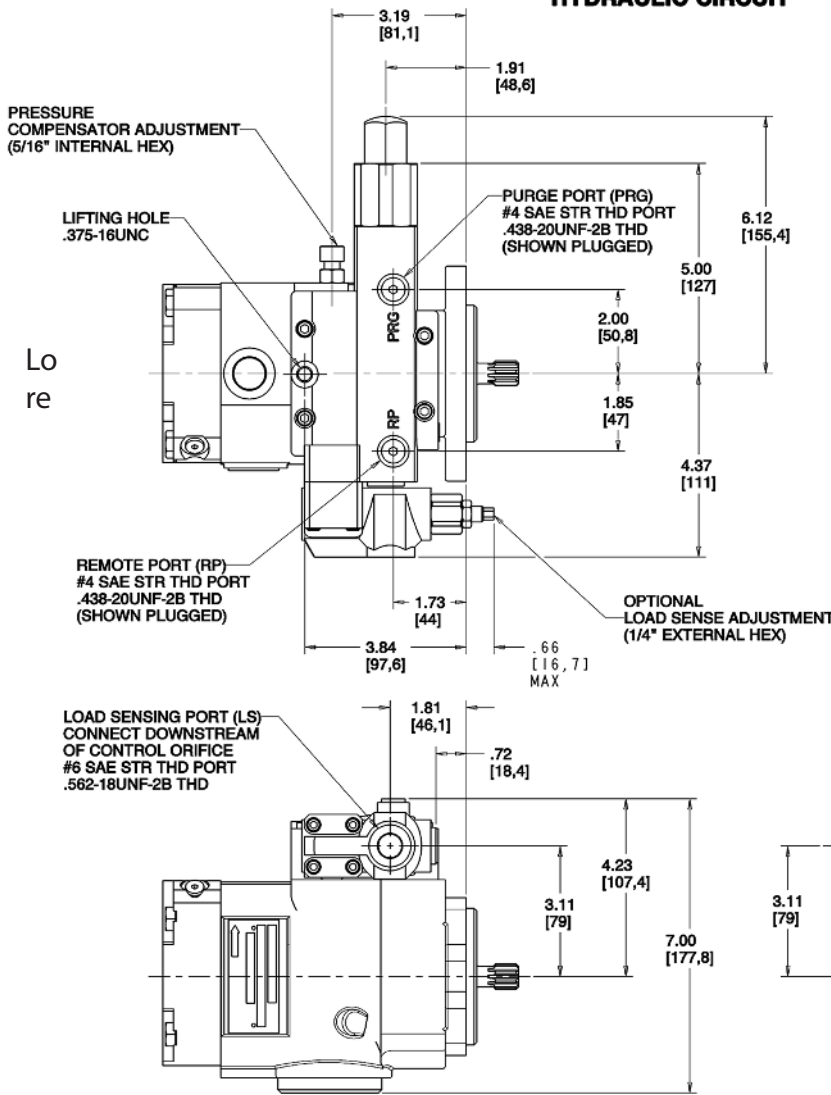


HYDRAULIC CIRCUIT



520012-111
Rev 1

FOR BASIC PUMP DIMENSIONS SEE PLANOGRAPHS:
DS-47480, DS-47481, DS-47482