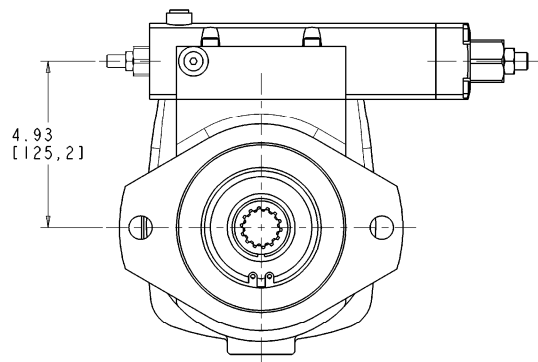
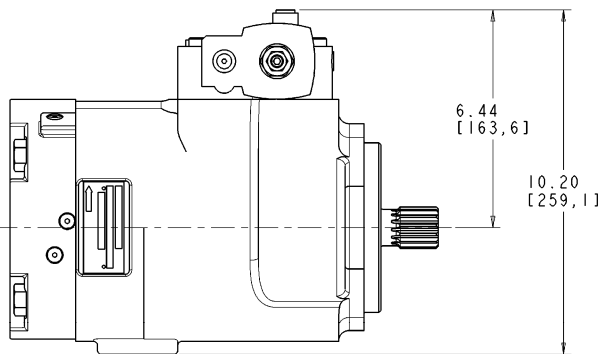
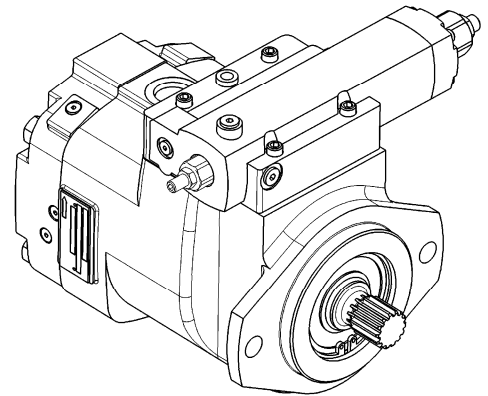
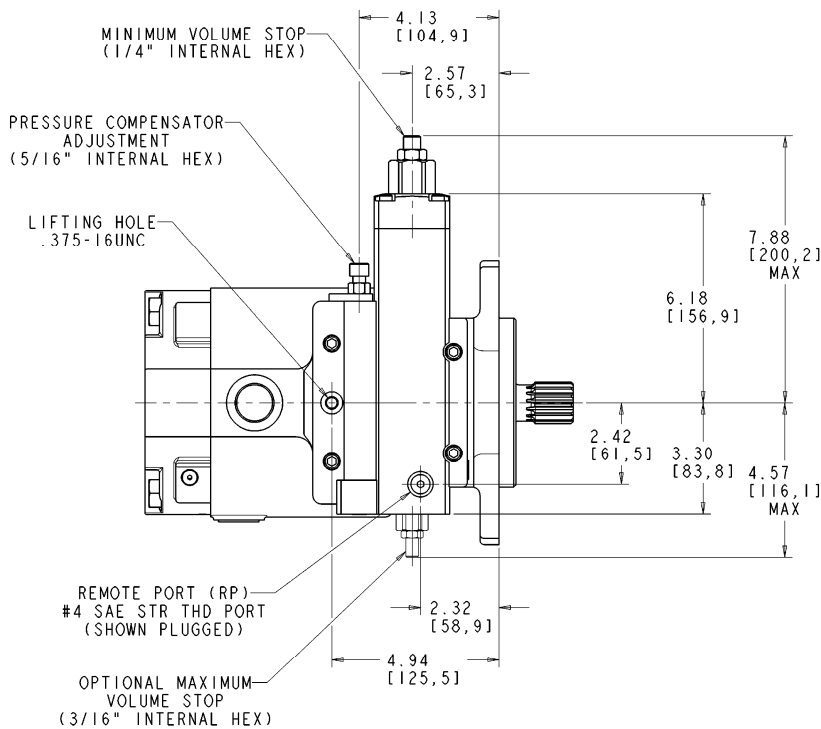
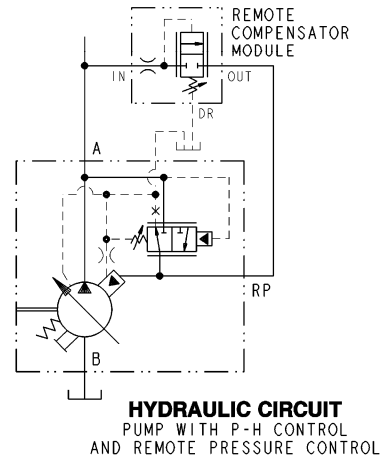
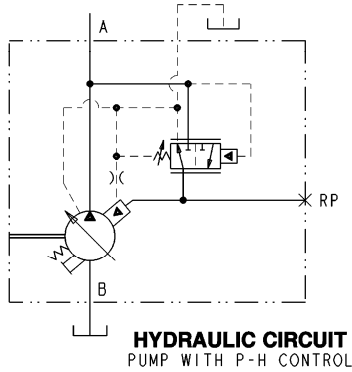


Installation Drawing High-Low Pressure Compensator Control (C Frame)



FOR BASIC PUMP DIMENSIONS SEE PLANOGRAPHS:
SIZE -064 PUMP: DS-47486, DS-47488
SIZE -076/-098/-130 PUMPS: DS-47487, DS-47489

520012-311

Telephone: (414) 327-1700
Fax: (414) 327-0532

OILGEAR
2300 So. 51st Street
Milwaukee, WI USA 53219

Issued: April, 2010

DS-48123