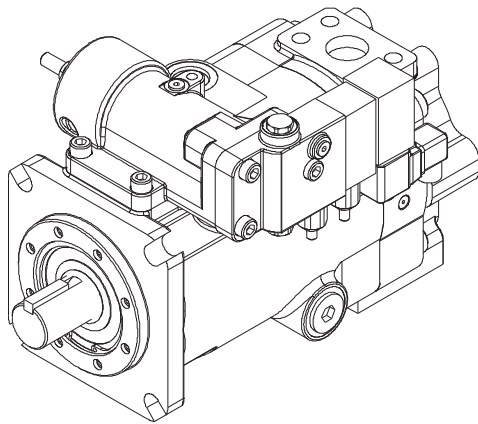
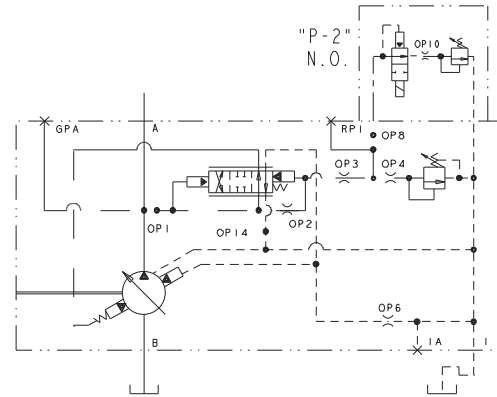


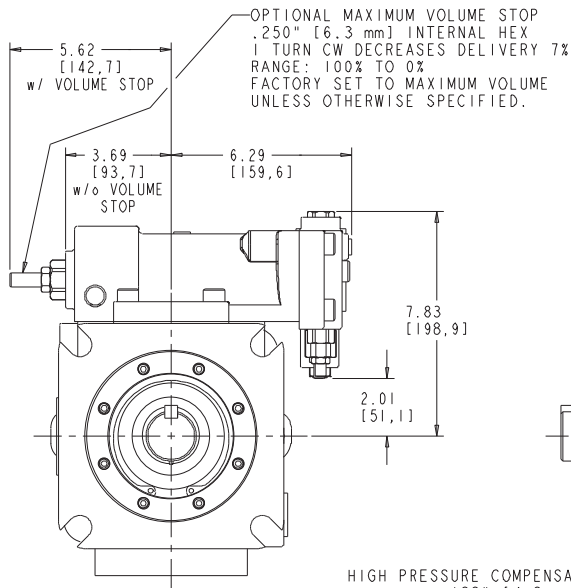
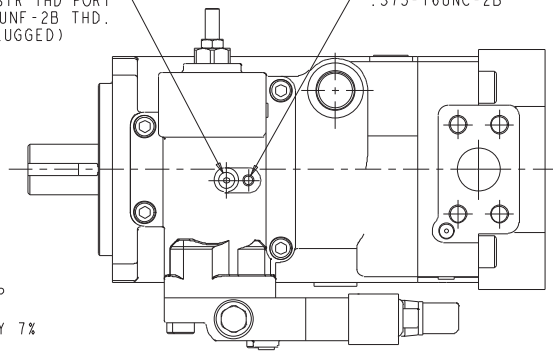
NOTES:

1. PUMPS DESIGNED FOR ONE-WAY SERVICE AND ARE DIMENSIONED AS SHOWN.
2. THESE UNITS ARE DESIGNED TO RUN CASE FULL OF FLUID AT ALL TIMES. FILL CASE BEFORE STARTING AND CONNECT DRAIN LINES ACCORDINGLY.
3. NUMERICAL DIMENSIONS GIVEN IN INCHES/[MM].
4. NET WEIGHT- 202 LBS [92 KG] FOR THRU SHAFT VERSION.



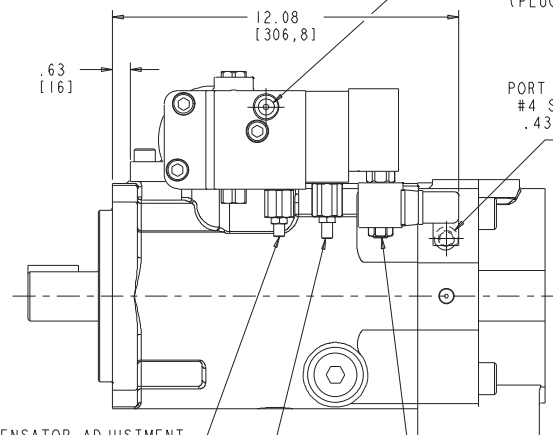
PURGE PORT  
#4 SAE STR THD PORT  
.438-20UNF-2B THD.  
(PLUGGED)

LIFTING HOLE  
.375-16UNC-2B



REMOTE PORT "RP1"  
#4 SAE STR THD PORT  
.438-20UNF-2B THD.  
(PLUGGED)

PORT "GPA" - TEST PORT  
#4 SAE STR THD PORT  
.438-20UNF-2B THD.  
(PLUGGED)



HIGH PRESSURE COMPENSATOR ADJUSTMENT  
.188" [4.8 mm] INTERNAL HEX  
1 TURN CW INCREASES PRESSURE SETTING 1000 PSI.  
RANGE: 300 TO 5000 PSI

LOW PRESSURE COMPENSATOR ADJUSTMENT  
.188" [4.8 mm] INTERNAL HEX  
1 TURN CW INCREASES PRESSURE SETTING 1000 PSI.  
RANGE: 300 TO 5000 PSI

PRESSURE SELECTOR SOLENOID  
DIN 43650 ELECTRICAL CONN.

520241-508

FOR BASIC PUMP DIMENSIONS SEE PLANOGRAPH: DS-48376