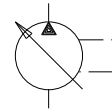


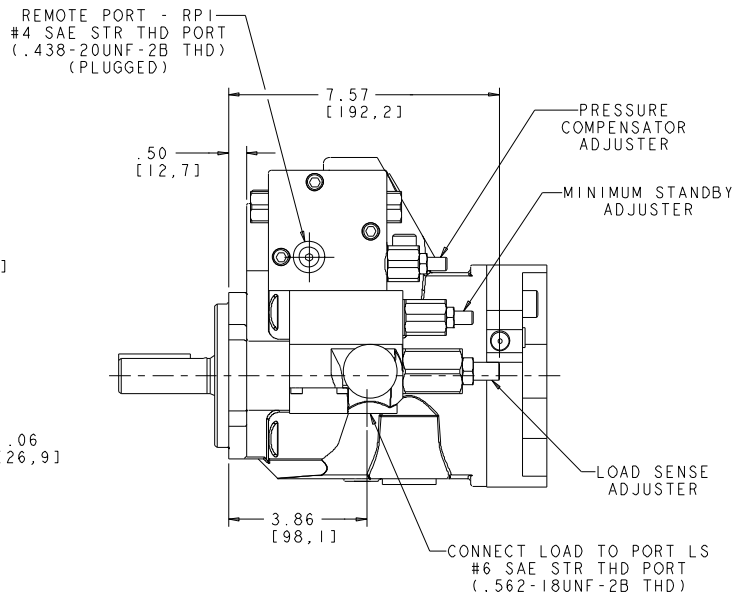
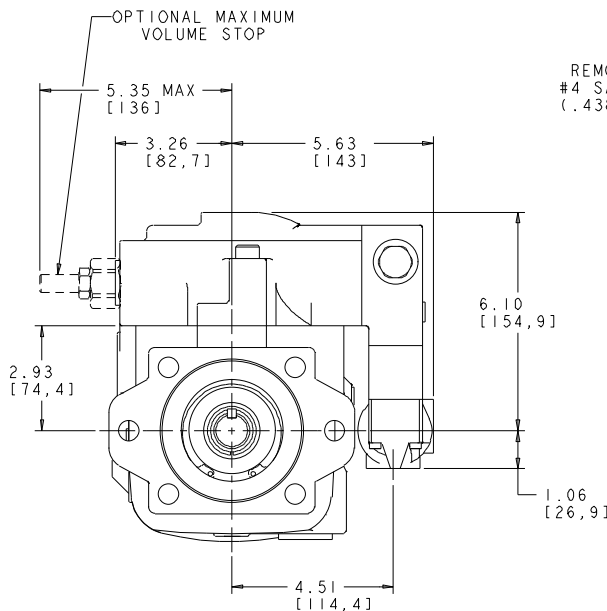
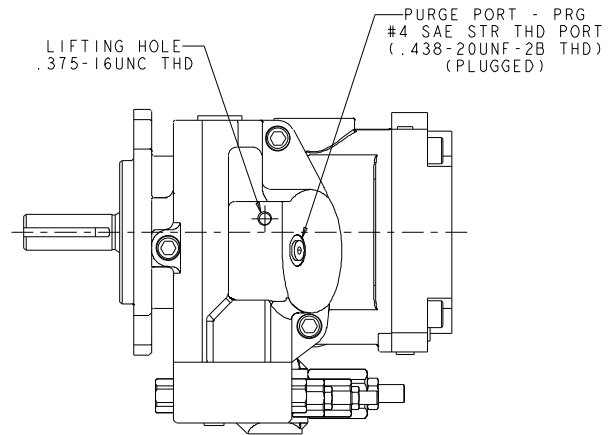
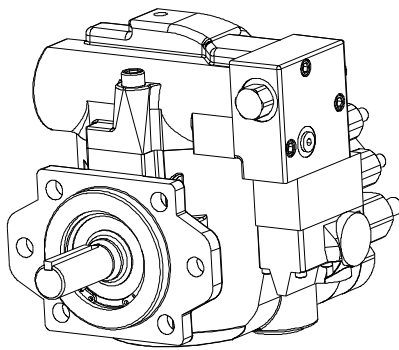
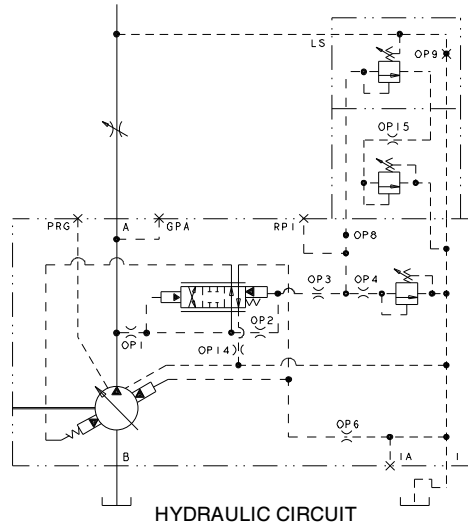
" F1U "

" P-1NN/K " CONTROL



INSTALLATION DRAWING

Single Pressure Compensator Control w/Load Sense & Minimum Standby



517118-221

FOR BASIC PUMP DIMENSIONS SEE PLANOGRAPHS;
DS-47952, DS-47953 & DS-47954