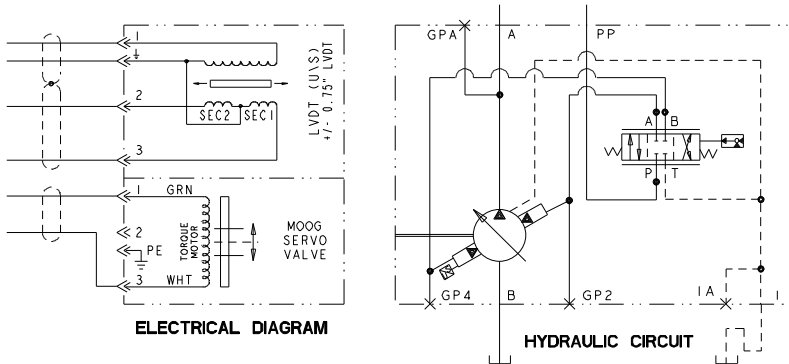


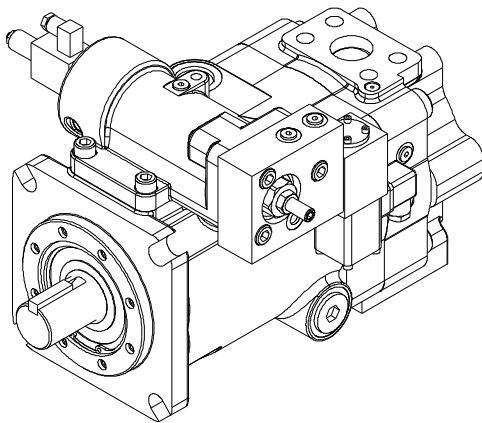
### INSTALLATION DRAWING

### Servo Valve Control



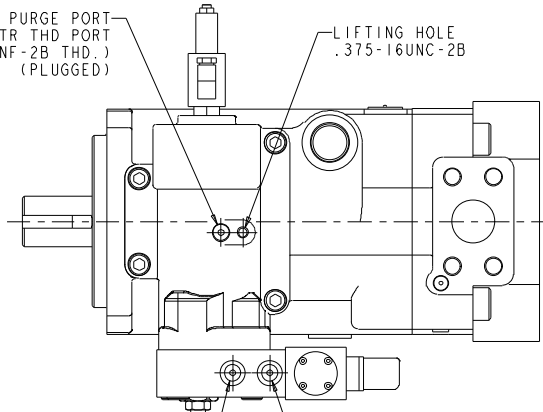
#### NOTES:

1. PUMPS DESIGNED FOR ONE-WAY SERVICE AND ARE DIMENSIONED AS SHOWN.
2. THESE UNITS ARE DESIGNED TO RUN CASE FULL OF FLUID AT ALL TIMES. FILL CASE BEFORE STARTING AND CONNECT DRAIN LINES ACCORDINGLY.
3. NUMERICAL DIMENSIONS GIVEN IN INCHES/[MM].
4. NET WEIGHT- 197 LBS [89 KG] FOR THRU SHAFT VERSION.



PURGE PORT  
#4 SAE STR THD PORT  
(.438-20UNF-2B THD.)  
(PLUGGED)

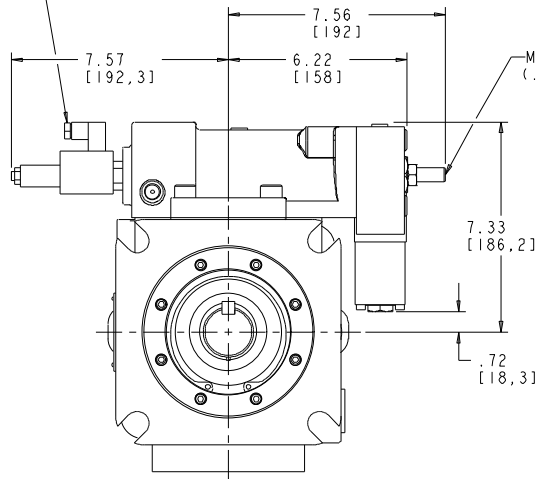
LIFTING HOLE  
.375-16UNC-2B



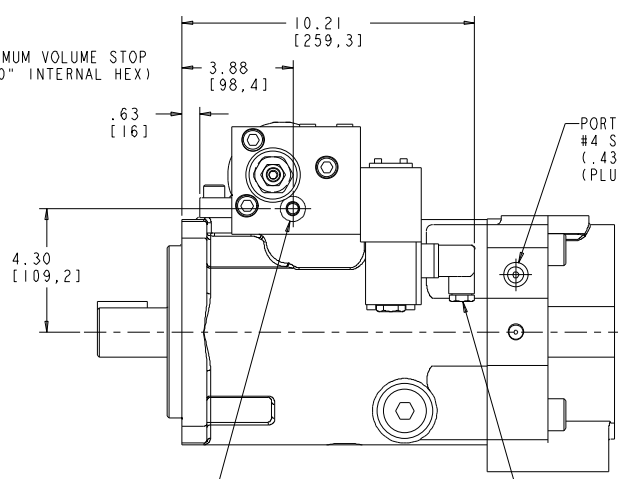
PORT GP4  
#4 SAE STR THD PORT  
(.438-20UNF-2B THD.)  
(PLUGGED)

PORT GP2  
#4 SAE STR THD PORT  
(.438-20UNF-2B THD.)  
(PLUGGED)

LVDT ELECTRICAL CONNECTION  
MPM-193-07-N 4-PIN MINI DIN  
PG-7 (6.5mm) CABLE CONNECTION



MINIMUM VOLUME STOP  
(.250" INTERNAL HEX)



PILOT PRESSURE INLET  
#4 SAE STR THD PORT  
(.438-20UNF-2B THD.)  
(3-MICRON FILTERED OIL  
800-1000 PSI REQUIRED)

PORT GPA  
#4 SAE STR THD PORT  
(.438-20UNF-2B THD.)  
(PLUGGED)

SERVO VALVE  
DIN 43650 ELECTRICAL  
CONNECTION