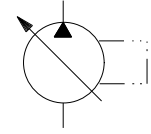
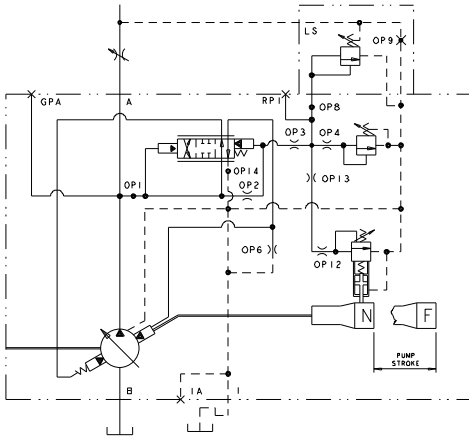


"P-1NN/G" CONTROL



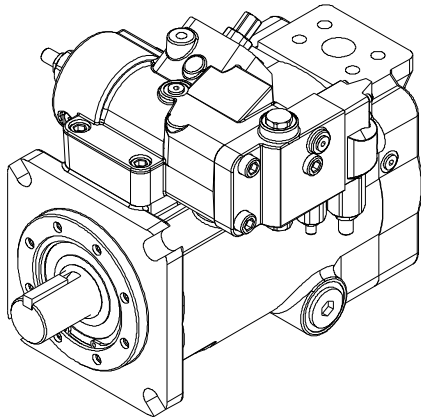
INSTALLATION DRAWING Single Pressure Compensator Control w/Load Sense & Horsepower Limiter



HYDRAULIC CIRCUIT

NOTES:

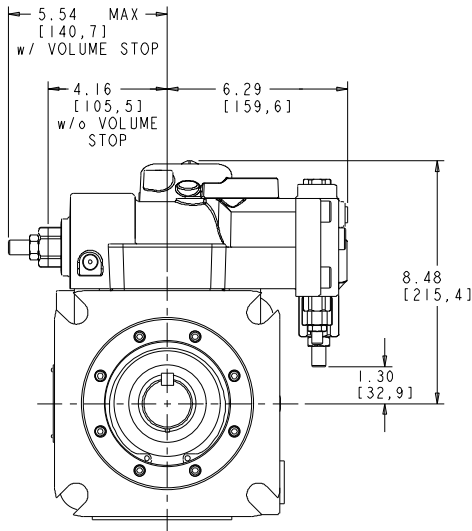
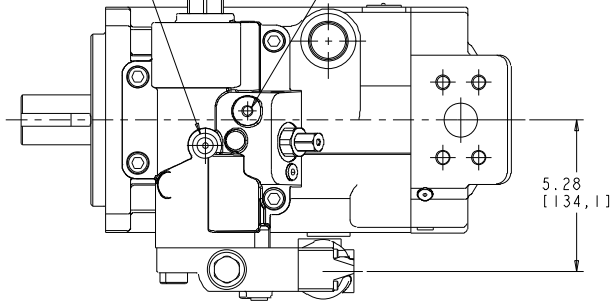
1. PUMPS DESIGNED FOR ONE-WAY SERVICE AND ARE DIMENSIONED AS SHOWN.
2. THESE UNITS ARE DESIGNED TO RUN CASE FULL OF FLUID AT ALL TIMES. FILL CASE BEFORE STARTING AND CONNECT DRAIN LINES ACCORDINGLY.
3. NUMERICAL DIMENSIONS GIVEN IN INCHES/[MM].
4. NET WEIGHT- 178 LBS [81 KG] FOR VERSION SHOWN
191 LBS [87 KG] FOR THRU SHAFT VERSION.



PURGE PORT
#4 SAE STR THD PORT
.438-20UNF-2B THD.
(PLUGGED)

OPTIONAL MAXIMUM VOLUME STOP
.250" [6.3 mm] INTERNAL HEX
1 TURN CW DECREASES DELIVERY 7%
RANGE: 100% TO 0%
FACTORY SET TO MAXIMUM VOLUME
UNLESS SPECIFIED OTHERWISE.

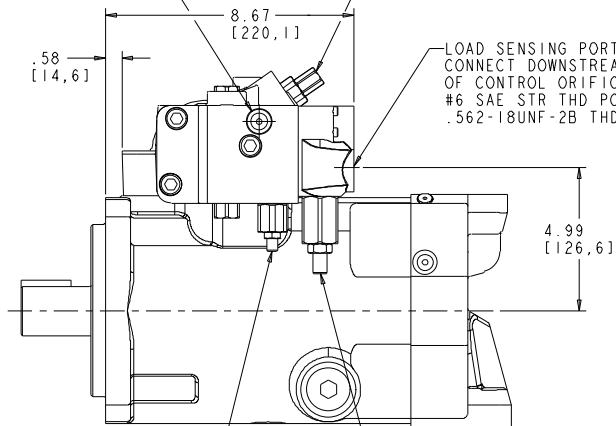
LIFTING HOLE
.375-16UNC-2B



REMOTE PORT "RPI"
#4 SAE STR THD PORT
.438-20UNF-2B THD.
(PLUGGED)

HORSEPOWER LIMITER
ADJUSTER - FACTORY SET

LOAD SENSING PORT "LS"
CONNECT DOWNSTREAM
OF CONTROL ORIFICE
#6 SAE STR THD PORT
.562-18UNF-2B THD.



PRESSURE COMPENSATOR ADJUSTMENT
.188" [4.8 mm] INTERNAL HEX
1 TURN CW INCREASES PRESSURE SETTING 1000 PSI.
RANGE: 300 TO 5000 PSI.
FACTORY SET AT MINIMUM UNLESS
SPECIFIED OTHERWISE.

LOAD SENSE ADJUSTMENT
.188" [4.8 mm] INTERNAL HEX
1 TURN CW INCREASES PRESSURE
DIFFERENTIAL 40 PSI.
RANGE: 235 TO 750 PSI
FACTORY SET AT 250 ± 25 PSI
UNLESS SPECIFIED OTHERWISE.